

# TIFFIN AIRE



1778 W US 224, Tiffin, Ohio 44883  
 Phone: 800-458-2487  
 Contact: Andrew Newman  
 anewman@tiffinaire.com

## ICE SHIELD AIRCRAFT DE-ICING SYSTEMS

TIFFIN AIRE, INC. IS A LEADING INSTALLER & SUPPLIER OF PNEUMATIC DE-ICE BOOTS. CALL OR E-MAIL FOR A QUOTE TODAY!

### ICE SHIELD PNEUMATIC DE-ICERS BY AIRCRAFT

#### Beech (Raytheon) A36 Bonanza

A36	A36TC	A36	Location:	Goodrich P/N:	SMR PN:	Std Boot List:	PSA Boot List:	Your Cost:
*X	X		Wing LH	25S-5D5129-01	SMR5129-01**	\$5,345	\$5,880	Please call
*X	X		Wing RH	25S-5D5129-02	SMR5129-02**	\$5,345	\$5,880	Please call
X	X	X	Horiz Stab LH	25S-5D5129-03	SMR5129-03**	\$3,169	\$3,486	Please call
X	X	X	Horiz Stab RH	25S-5D5129-04	SMR5129-04**	\$3,169	\$3,486	Please call
		*X	Wing LH	25S-5D5129-05	SMR5129-05**	\$7,977	\$8,774	Please call
		*X	Wing RH	25S-5D5129-06	SMR5129-06**	\$7,977	\$8,774	Please call

\*Verify cut out. \*\*Special order, contact Tiffin Aire, Inc. for lead time.

#### Beech (Raytheon) 55 Baron

55, A55, B55, B55A, C55, C55A	D55, D55A	E55	E55A	Location:	Goodrich P/N:	SMR PN:	Std Boot List:	PSA Boot List:	Your Cost:
X				Light-Tip LH	23S-2004-2-1	SMR2004-2-1**	\$6,045	\$6,650	Please call
X				Light-Tip RH	23S-2004-2-2	SMR2004-2-2**	\$4,687	\$5,155	Please call
X				Horiz Stab LH	23S-2004-5-1	SMR2004-5-1	\$4,154	\$4,570	Please call
X				Horiz Stab RH	23S-2004-5-2	SMR2004-5-2	\$4,154	\$4,570	Please call
X	X	X	X*	Vertical Fin	23S-2004-7-1	SMR2004-7-1	\$3,280	\$3,607	Please call
X	X			Nac-Tip LH	23S-2004-14-1	SMR2004-14-1	\$7,574	\$8,332	Please call
X	X			Nac-Tip RH	23S-2004-14-2	SMR2004-14-2	\$7,574	\$8,332	Please call
	X	X	X***	Horiz Stab LH	23S-2004-15-1	SMR2004-15-1	\$3,186	\$3,505	Please call
	X	X	X***	Horiz Stab RH	23S-2004-15-2	SMR2004-15-2	\$3,206	\$3,527	Please call
		X	X	Nac-Tip LH	23S-2004-17-1	SMR2004-17-1	\$6,260	\$6,886	Please call
		X	X	Nac-Tip RH	23S-2004-17-2	SMR2004-17-2	\$6,260	\$6,886	Please call

FAA requires Ice Shield 2 de-ice boots to be replaced in left & right pairs. \*S/N TE-768 thru TE-937, \*\*\*S/N TE-768 thru TE-977  
 \*\*Special order, contact Tiffin Aire, Inc. for lead time.

#### Beech (Raytheon) 55 Baron

95-B55/B55A	95-C55/C55A	E55/E55A	Location:	Goodrich P/N:	SMR PN:	Std Boot List:	PSA Boot List:	Your Cost:	
TC-1657, TC-1699, TC-1701 & Up	TC-502 Up	TE-1 - TE-451 TC-350	TE-978 & Up						
X			X	Wing LH	25S-7D5057-01	SMR5057-01	\$6,885	\$7,573	Please call
X			X	Wing RH	25S-7D5057-02	SMR5057-02	\$6,885	\$7,573	Please call
X	X	X		Horiz Stab LH	25S-7D5057-03	SMR5057-03	\$4,557	\$5,012	Please call
X	X	X		Horiz Stab RH	25S-7D5057-04	SMR5057-04	\$4,557	\$5,012	Please call
			X	Horiz Stab LH	25S-7D5057-07	SMR5057-07	\$3,589	\$3,947	Please call
			X	Horiz Stab RH	25S-7D5057-08	SMR5057-08	\$3,589	\$3,947	Please call
X	X	X	X	Vertical Fin	25S-7D5057-09	SMR5057-09	\$3,727	\$4,100	Please call

**Beech (Raytheon) 56, 58 Baron**

56TC	A56TC		58, 58A	Location:	Goodrich P/N:	SMR P/N:	Std Boot List:	PSA Boot List:	Your Cost:
	TG78 Up								
X	X		X	Vertical Fin	23S-2004-7-1	SMR2004-7-1	\$3,280	\$3,607	Please call
X	X		X	Horiz Stab LH	23S-2004-15-1	SMR2004-15-1	\$3,186	\$3,505	Please call
X	X		X	Horiz Stab RH	23S-2004-15-2	SMR2004-15-2	\$3,206	\$3,527	Please call
X	X			Nac-Tip LH	23S-2124-4-1	SMR2124-4-1	\$7,194	\$7,913	Please call
X	X			Nac-Tip RH	23S-2124-4-2	SMR2124-4-2	\$7,194	\$7,913	Please call
X	X*		X	Nac-Tip LH	23S-2124-5-1	SMR2124-5-1**	\$8,019	\$8,822	Please call
X	X*		X	Nac-Tip RH	23S-2124-5-2	SMR2124-5-2	\$7,194	\$7,913	Please call

FAA requires Ice Shield 2 de-ice boots to be replaced in left & right pairs.

\*Check PMA TG78 & Up. \*\*Special order, contact Tiffin Aire, Inc. for lead time.

**Beech (Raytheon) 58 Baron**

58TC/58TCA		58P/58PA			Location:	Goodrich P/N:	SMR P/N:	Std Boot List:	PSA Boot List:	Your Cost:
ALL - TK-1 Up		TJ-3 - TJ-31, TJ-33 - TJ-37	TJ-32, TJ-38 Up							
		X			Wing LH	25S-7D5057-01	SMR5057-01	\$6,885	\$7,573	Please call
		X			Wing RH	25S-7D5057-02	SMR5057-02	\$6,885	\$7,573	Please call
X		X		X	Horiz Stab LH	25S-7D5057-07	SMR5057-07	\$3,589	\$3,947	Please call
X		X		X	Horiz Stab RH	25S-7D5057-08	SMR5057-08	\$3,589	\$3,947	Please call
X		X		X	Vertical Fin	25S-7D5057-09	SMR5057-09	\$3,727	\$4,100	Please call
X				X	Wing LH	25S-7D5057-11	SMR5057-11	\$7,639	\$8,402	Please call
X				X	Wing RH	25S-7D5057-12	SMR5057-12	\$7,639	\$8,402	Please call

**Beech (Raytheon) 58 Baron**

58					G58	Location:	Goodrich P/N:	SMR P/N:	Std Boot List:	PSA Boot List:	Your Cost:
TH-1 - TH-370	TH-371 - TH-460	TH-461 - TH-668	TH-669, TH-680 - TH-2124	TH-2125 UP							
	X	X	X	X	Wing LH	25S-7D5057-01	SMR5057-01	\$6,885	\$7,573	Please call	
	X	X	X	X	Wing RH	25S-7D5057-02	SMR5057-02	\$6,885	\$7,573	Please call	
		X	X	X	Horiz Stab LH	25S-7D5057-07	SMR5057-07	\$3,589	\$3,947	Please call	
		X	X	X	Horiz Stab RH	25S-7D5057-08	SMR5057-08	\$3,589	\$3,947	Please call	
X	X	X	X	X	Vertical Fin	25S-7D5057-09	SMR5057-09	\$3,727	\$4,100	Please call	
			X*	X*	Wing LH	25S-7D5057-11	SMR5057-11	\$7,639	\$8,402	Please call	
			X*	X*	Wing RH	25S-7D5057-12	SMR5057-12	\$7,639	\$8,402	Please call	
			X**	X**	Inbd LH	25S-7D5057-13	SMR5057-13	\$3,190	\$3,510	Please call	
			X**	X**	Outbd RH	25S-7D5057-14	SMR5057-14	\$3,190	\$3,510	Please call	

\*Wet Wing No Cutout. \*\*Check Aircraft 58/58G S/N TH-1472 thru TH-1475, TH-1477 thru TH-1488, TH-1489 and UP

**Beech (Raytheon) 60 Duke**

60	A60	B60			Location:	Goodrich P/N:	SMR P/N:	Std Boot List:	PSA Boot List:	Your Cost:
		P-123 - P-251	P-123 - P-252	P-123 - P-253						
X	X	X			Horiz Stab LH	23S-2124-2-1	SMR2124-2-1	\$6,066	\$6,672	Please call
X	X	X			Horiz Stab RH	23S-2124-2-2	SMR2124-2-2	\$6,066	\$6,672	Please call
X	X	X		X	Vertical Fin	23S-2124-3-1	SMR2124-3-1	\$3,844	\$4,229	Please call
X					Nac-Tip LH	23S-2124-4-1	SMR2124-4-1	\$7,194	\$7,913	Please call
X					Nac-Tip RH	23S-2124-4-2	SMR2124-4-2	\$7,194	\$7,913	Please call
X	X			X	Nac-Tip LH	23S-2124-5-1	SMR2124-5-1**	\$8,019	\$8,822	Please call
X	X			X	Nac-Tip RH	23S-2124-5-2	SMR2124-5-2	\$7,194	\$7,913	Please call

FAA requires Ice Shield 2 de-ice boots to be replaced in left & right pairs. \*\*Special order, contact Tiffin Aire, Inc. for lead time.

**Beech (Raytheon) 60 Duke**

B60			Location:	Goodrich P/N:	SMR P/N:	Std Boot List:	PSA Boot List:	Your Cost:
P-247 - P-252	P-253 - P-347, P-349 - P-364	P-348, P-365 Up						
	X		Wing LH	25S-7D5057-01	SMR5057-01	\$6,885	\$7,573	Please call
	X		Wing RH	25S-7D5057-02	SMR5057-02	\$6,885	\$7,573	Please call
X	X	X	Horiz Stab RH	25S-7D5057-05	SMR5057-05	\$4,963	\$5,459	Please call
X	X	X	Horiz Stab LH	25S-7D5057-06	SMR5057-06	\$4,963	\$5,459	Please call
X	X	X	Vertical Fin	25S-7D5057-10	SMR5057-10	\$3,329	\$3,662	Please call
		X	Wing LH	25S-7D5057-11	SMR5057-11	\$7,639	\$8,402	Please call
		X	Wing RH	25S-7D5057-12	SMR5057-12	\$7,639	\$8,402	Please call

**Beech (Raytheon) Queen Air 65**

A65	A65-80	65-A80	65-A80-880	65-B80	65-88	Location:	Goodrich P/N:	SMR P/N:	Std Boot List:	PSA Boot List:	Your Cost:
X		X	X	X	X	Horiz Stab	23S-2014-9-1	SMR2014-9-1	\$3,625	\$3,987	Please call
X				X	X	Vertical Fin	23S-2014-10-1	SMR2014-10-1	\$3,625	\$3,987	Please call
X	X	X	X	X	X	Brk-Light LH	23S-2014-11-1	SMR2014-11-1	\$7,807	\$8,588	Please call
X	X	X	X	X	X	Brk-Light RH	23S-2014-11-2	SMR2014-11-2	\$7,807	\$8,588	Please call
				X	X	Light-Tip LH	23S-2014-12-1	SMR2014-12-1	\$3,635	\$3,998	Please call
				X	X	Light-Tip RH	23S-2014-12-2	SMR2014-12-2	\$3,635	\$3,998	Please call
				X		Light-Tip LH	23S-2014-15-1	SMR2014-15-1	\$3,987	\$4,386	Please call
				X		Light-Tip RH	23S-2014-15-2	SMR2014-15-2	\$3,987	\$4,386	Please call

FAA requires Ice Shield 2 de-ice boots to be replaced in left & right pairs

**Beech (Raytheon) Queen Air 65**

65-90	65-A90	65-A90-1	65-A90-2	65-A90-3	65-A90-4	Location:	Goodrich P/N:	SMR P/N:	Std Boot List:	PSA Boot List:	Your Cost:
X	X					Engine Inlet	5E1319	SMR1319	\$1,557	N/A	Please call
X	X	X	X	X	X	Horiz Stab	23S-2014-9-1	SMR2014-9-1	\$3,625	\$3,987	Please call
X	X	X	X	X	X	Vertical Fin	23S-2014-10-1	SMR2014-10-1	\$3,625	\$3,987	Please call
X	X	X	X	X	X	Brk-Light LH	23S-2014-11-1	SMR2014-11-1	\$7,807	\$8,588	Please call
X	X	X	X	X	X	Brk-Light RH	23S-2014-11-2	SMR2014-11-2	\$7,807	\$8,588	Please call
		X				Light-Tip LH	23S-2014-12-1	SMR2014-12-1	\$3,635	\$3,998	Please call
		X				Light-Tip RH	23S-2014-12-2	SMR2014-12-2	\$3,635	\$3,998	Please call
			X	X		Brk-Light LH	23S-2014-13-1	SMR2014-13-1*	\$9,085	\$9,993	Please call
			X	X		Brk-Light RH	23S-2014-13-2	SMR2014-13-2*	\$8,496	\$9,346	Please call
	X					Light-Tip LH	23S-2014-15-1	SMR2014-15-1	\$3,987	\$4,386	Please call
	X					Light-Tip RH	23S-2014-15-2	SMR2014-15-2	\$3,987	\$4,386	Please call
					X	Light-Tip LH	23S-2014-22-1	SMR2014-22-1*	\$4,270	\$4,697	Please call
					X	Light-Tip RH	23S-2014-22-2	SMR2014-22-2*	\$4,270	\$4,697	Please call
					X	Light-Tip LH	23S-2014-23-1	SMR2014-23-1*	\$3,839	\$4,223	Please call
					X	Light-Tip RH	23S-2014-23-2	SMR2014-23-2*	\$3,839	\$4,223	Please call

FAA requires Ice Shield 2 de-ice boots to be replaced in left & right pairs. \*Special order, contact Tiffin Aire, Inc. for lead time.

**Beech (Raytheon) Queen Air/King Air 70, 90**

70	B90	C90	E90	Location:	Goodrich P/N:	SMR P/N:	Std Boot List:	PSA Boot List:	Your Cost:
	X	X	X	Engine Inlet	5E1319	SMR1319	\$1,557	N/A	Please call
X	X	X	X	Horiz Stab	23S-2014-9-1	SMR2014-9-1	\$3,625	\$3,987	Please call
X	X	X	X	Vertical Fin	23S-2014-10-1	SMR2014-10-1	\$3,625	\$3,987	Please call
X	X			Brk-Light LH	23S-2014-11-1	SMR2014-11-1	\$7,807	\$8,588	Please call
X	X			Brk-Light RH	23S-2014-11-2	SMR2014-11-2	\$7,807	\$8,588	Please call
	X			Light-Tip LH	23S-2014-12-1	SMR2014-12-1	\$3,635	\$3,998	Please call
	X			Light-Tip RH	23S-2014-12-2	SMR2014-12-2	\$3,635	\$3,998	Please call
X	X	X	X	Light-Tip LH	23S-2014-15-1	SMR2014-15-1	\$3,987	\$4,386	Please call
X	X	X	X	Light-Tip RH	23S-2014-15-2	SMR2014-15-2	\$3,987	\$4,386	Please call
		X		Brk-Tip LH	23S-2014-20-1	SMR2014-20-1	\$9,068	\$9,976	Please call
		X		Brk-Tip RH	23S-2014-20-2	SMR2014-20-2	\$9,068	\$9,976	Please call
		X	X	Brk-Tip LH	23S-2014-21-1	SMR2014-21-1	\$8,439	\$9,282	Please call
		X	X	Brk-Tip RH	23S-2014-21-2	SMR2014-21-2	\$8,439	\$9,282	Please call

FAA requires Ice Shield 2 de-ice boots to be replaced in left & right pairs

**Beech (Raytheon) King Air C90**

C90/C90A C90GT	C90/C90A/C90GT C90GTi		C90GT C90GTi	Location:	Goodrich P/N:	SMR P/N:	Std Boot List:	PSA Boot List:	Your Cost:
LJ-640 – LH-658	LJ-659	LJ-660 – LH-1786	LJ-1787 Up						
X	X	X		Wing LH	25S-7D5064-03	SMR5064-03	\$7,058	\$7,765	Please call
X	X	X		Wing RH	25S-7D5064-04	SMR5064-04	\$7,058	\$7,765	Please call
	X	X	X	Horiz Stab	25S-7D5064-05	SMR5064-05	\$4,033	\$4,437	Please call
		X	X	Vertical Fin	25S-7D5064-10	SMR5064-10	\$3,589	\$3,947	Please call
			X	Wing LH	25S-7D5064-25	SMR5064-25	\$7,498	\$8,247	Please call
			X	Wing RH	25S-7D5064-26	SMR5064-26	\$7,498	\$8,247	Please call

**Beech (Raytheon) King Air 90, 99**

E90 LW 120 Up	F90	F90A	H90	99, 99A, A99, A99A, B99	C99	Location:	Goodrich P/N:	SMR P/N:	Std Boot List:	PSA Boot List:	Your Cost:
				X		Engine Inlet	5E1319	SMR1319	\$1,557	N/A	Please call
		X				Outbd Wing LH	25S-7D5041-01	SMR5041-01	\$6,938	\$7,632	Please call
		X				Outbd Wing RH	25S-7D5041-02	SMR5041-02	\$6,938	\$7,632	Please call
	X					Wing LH	25S-7D5064-01	SMR5064-01	\$6,384	\$7,022	Please call
	X					Wing RH	25S-7D5064-02	SMR5064-02	\$6,384	\$7,022	Please call
X			X			Wing LH	25S-7D5064-03	SMR5064-03	\$7,058	\$7,765	Please call
X			X			Wing RH	25S-7D5064-04	SMR5064-04	\$7,058	\$7,765	Please call
X			X			Horiz Stab	25S-7D5064-05	SMR5064-05	\$4,033	\$4,437	Please call
				X	X	Horiz Stab	25S-7D5064-07	SMR5064-07	\$5,527	\$6,079	Please call
X			X			Vertical Fin	25S-7D5064-10	SMR5064-10	\$3,589	\$3,947	Please call
	X					Horiz Stab LH	25S-7D5064-17	SMR5064-17	\$5,996	\$6,596	Please call
	X					Horiz Stab RH	25S-7D5064-18	SMR5064-18	\$5,996	\$6,596	Please call
					X	Wing LH	25S-7D5064-21	SMR5064-21	\$7,870	\$8,657	Please call
					X	Wing RH	25S-7D5064-22	SMR5064-22	\$7,870	\$8,657	Please call
				X	X	Vertical Fin	25S-7D5064-23	SMR5064-23	\$3,967	\$4,363	Please call

**Beech (Raytheon) Baron 95**

95	B95	B95A, D95A, E95	Location:	Goodrich P/N:	SMR P/N:	Std Boot List:	PSA Boot List:	Your Cost:
X	X		Light-Tip LH	23S-2004-2-1	SMR2004-2-1*	\$6,045	\$6,650	Please call
X	X		Light-Tip RH	23S-2004-2-2	SMR2004-2-2*	\$4,687	\$5,155	Please call
	X	X	Horiz Stab LH	23S-2004-5-1	SMR2004-5-1	\$4,154	\$4,570	Please call
	X	X	Horiz Stab RH	23S-2004-5-2	SMR2004-5-2	\$4,154	\$4,570	Please call

FAA requires Ice Shield 2 de-ice boots to be replaced in left & right pairs. \*Special order, contact Tiffin Aire, Inc. for lead time.

**Beech (Raytheon) King Air 99, 100**

99	99A	A99, A99A, B99	100 B2-89, B93	A100 B1, B91, B92, B94-234	Location:	Goodrich P/N:	SMR P/N:	Std Boot List:	PSA Boot List:	Your Cost:
X	X	X	X	X	Engine Inlet	5E1319	SMR1319	\$1,557	N/A	Please call
X	X	X	X		Brk-Light LH	23S-2014-11-1	SMR2014-11-1	\$7,807	\$8,588	Please call
X	X	X	X		Brk-Light RH	23S-2014-11-2	SMR2014-11-2	\$7,807	\$8,588	Please call
				X	Brk-Tip LH	23S-2014-21-1	SMR2014-21-1	\$8,439	\$9,282	Please call
				X	Brk-Tip RH	23S-2014-21-2	SMR2014-21-2	\$8,439	\$9,282	Please call
		X	X	X	Horiz Stab	23S-2128-5-1	SMR2128-5-1	\$5,887	\$6,477	Please call
		X	X	X	Vertical Fin	23S-2128-6-1	SMR2128-6-1	\$5,889	\$6,479	Please call

FAA requires Ice Shield 2 de-ice boots to be replaced in left & right pairs

**Beech (Raytheon) King Air 100**

100	A100 B235 Up	A100A	A100C	B100	Location:	Goodrich P/N:	SMR P/N:	Std Boot List:	PSA Boot List:	Your Cost:
X	X	X	X		Engine Inlet	5E1319	SMR1319	\$1,557	N/A	Please call
	X			X	Wing LH	25S-7D5064-01	SMR5064-01	\$6,384	\$7,022	Please call
	X			X	Wing RH	25S-7D5064-02	SMR5064-02	\$6,384	\$7,022	Please call
X	X			X	Horiz Stab	25S-7D5064-07	SMR5064-07	\$5,527	\$6,079	Please call
X	X			X	Vertical Fin	25S-7D5064-23	SMR5064-23	\$3,967	\$4,363	Please call

**Beech (Raytheon) King Air 200**

200, A200, A200C, A200CT, B200, B200CGT, B200GT, 200C, 200CT, 200T, B200C, B200CT, B200T	Raisbeck Conv	Location:	Goodrich P/N:	SMR P/N:	Std Boot List:	PSA Boot List:	Your Cost:
	X	Outbd Wing LH	25S-7D5041-01	SMR5041-01	\$6,938	\$7,632	Please call
	X	Outbd Wing RH	25S-7D5041-02	SMR5041-02	\$6,938	\$7,632	Please call
	X	Horiz Stab	25S-7D5041-05	SMR5041-05	\$4,917	\$5,409	Please call
	X	Inbd Wing LH	25S-7D5041-07	SMR5041-07	\$3,507	\$3,857	Please call
	X	Inbd Wing RH	25S-7D5041-08	SMR5041-08	\$3,507	\$3,857	Please call
		X	Inbd Wing LH	25S-7D5041-13	\$3,373	\$3,710	Please call
		X	Inbd Wing RH	25S-7D5041-14	\$3,710	\$4,081	Please call



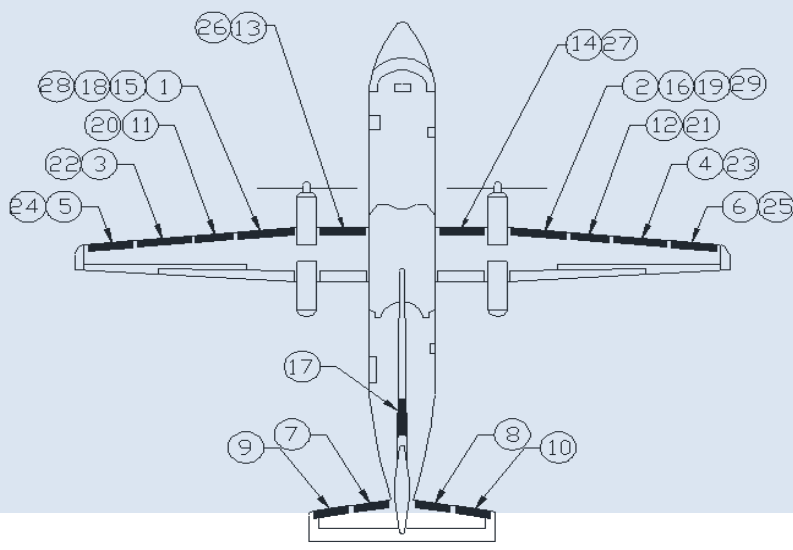
**Beech (Raytheon) King Air 300**

300	300LW	B300	B300C	Location:	Goodrich P/N:	SMR P/N:	Std Boot List:	PSA Boot List:	Your Cost:
X	X	X	X	Inbd Wing LH	25S-7D5041-09	SMR5041-09	\$3,430	\$3,773	Please call
X	X	X	X	Inbd Wing RH	25S-7D5041-10	SMR5041-10	\$3,430	\$3,773	Please call
X	X			Outbd Wing LH	25S-7D5041-11	SMR5041-11	\$6,708	\$7,378	Please call
X	X			Outbd Wing RH	25S-7D5041-12	SMR5041-12	\$6,634	\$7,298	Please call
		X	X	Outbd Wing LH	25S-7D5041-17	SMR5041-17	\$6,413	\$7,055	Please call
		X	X	Outbd Wing RH	25S-7D5041-18	SMR5041-18	\$6,413	\$7,054	Please call
X	X	X	X	Horiz Stab LH	25S-7D5064-17	SMR5064-17	\$5,996	\$6,596	Please call
X	X	X	X	Horiz Stab RH	25S-7D5064-18	SMR5064-18	\$5,996	\$6,596	Please call

**Beech (Raytheon) 1900**

1900	1900C UB-1 & Up	1900C UC-1 & Up	1900C UD-1 & Up	1900D	Location:	Goodrich P/N:	SMR P/N:	Std Boot List:	PSA Boot List:	Your Cost:
X	X	X	X		Fus-Nac LH	29S-7D5137-01	SMR5137-01	\$4,180	\$4,598	Please call
X	X	X	X		Fus-Nac RH	29S-7D5137-02	SMR5137-02	\$4,180	\$4,598	Please call
X	X				Nac-Brk LH	29S-7D5137-03	SMR5137-03	\$3,476	\$3,824	Please call
X	X				Nac-Brk RH	29S-7D5137-04	SMR5137-04	\$3,476	\$3,824	Please call
X	X				Brk-Tip RH	29S-7D5137-06	SMR5137-06	\$8,029	\$8,832	Please call
X	X	X	X		Horiz Stab LH	29S-7D5137-07	SMR5137-07	\$4,624	\$5,086	Please call
X	X	X	X		Horiz Stab RH	29S-7D5137-08	SMR5137-08	\$4,624	\$5,086	Please call
X	X				Brk-Tip LH	29S-7D5137-13	SMR5137-13	\$8,029	\$8,832	Please call
X	X	X	X	X	Stabilon LH	29S-7D5137-15	SMR5137-15	\$4,790	\$5,269	Please call
X	X	X	X	X	Stabilon RH	29S-7D5137-16	SMR5137-16	\$4,790	\$5,269	Please call
		X	X		Nac-Brk LH	29S-7D5137-17	SMR5137-17	\$4,050	\$4,455	Please call
		X	X		Nac-Brk RH	29S-7D5137-18	SMR5137-18	\$4,050	\$4,455	Please call
		X	X		Brk-Tip LH	29S-7D5137-19	SMR5137-19	\$8,591	\$9,450	Please call
		X	X		Brk-Tip RH	29S-7D5137-20	SMR5137-20	\$8,591	\$9,450	Please call
				X	Fus-Nac LH	29S-7D5137-21	SMR5137-21	\$3,329	\$3,661	Please call
				X	Fus-Nac RH	29S-7D5137-22	SMR5137-22	\$3,329	\$3,661	Please call
				X	Nac-Brk LH	29S-7D5137-23	SMR5137-23	\$2,341	\$2,574	Please call
				X	Nac-Brk RH	29S-7D5137-24	SMR5137-24	\$2,341	\$2,574	Please call
				X	Horiz Stab LH	29S-7D5137-25	SMR5137-25	\$3,712	\$4,082	Please call
				X	Horiz Stab RH	29S-7D5137-26	SMR5137-26	\$3,712	\$4,082	Please call
				X	Brk-Tip LH	29S-7D5137-77	SMR5137-77	\$9,468	\$10,415	Please call
				X	Brk-Tip RH	29S-7D5137-78	SMR5137-78	\$9,468	\$10,415	Please call
				X	Taillet LH	29S-4D5201-05	SMR5201-05	\$3,020	\$3,322	Please call
				X	Taillet RH	29S-4D5201-06	SMR5201-06	\$3,020	\$3,322	Please call

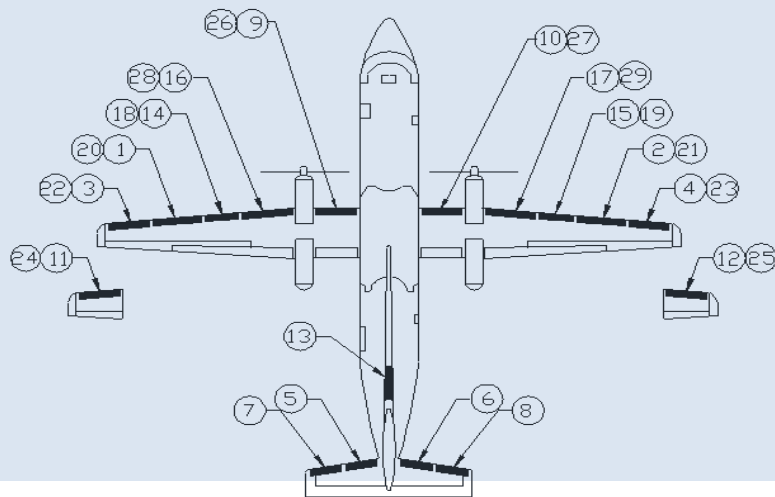




**Bombardier DHC-8-100/200**

Location:	Pre-Mod	Post-Mod	Location:	Goodrich P/N:	SMR P/N:	Std Boot List:	PSA Boot List:	Your Cost:
1	X		Wing Inbd LH	29S-7D5152-01	SMR5152-01	\$3,071	\$3,378	Please call
2	X		Wing Inbd RH	29S-7D5152-02	SMR5152-02	\$3,071	\$3,378	Please call
3	X		Wing Ctr Outbd LH	29S-7D5152-05	SMR5152-05	\$2,699	\$2,969	Please call
4	X		Wing Ctr Outbd RH	29S-7D5152-06	SMR5152-06	\$2,699	\$2,969	Please call
5	X		Wing Outbd LH	29S-7D5152-07	SMR5152-07	\$2,954	\$3,250	Please call
6	X		Wing Outbd RH	29S-7D5152-08	SMR5152-08	\$2,954	\$3,250	Please call
7	X	X	Stabilizer Inbd LH	29S-7D5152-09	SMR5152-09	\$2,681	\$2,949	Please call
8	X	X	Stabilizer Inbd RH	29S-7D5152-10	SMR5152-10	\$2,681	\$2,949	Please call
9	X	X	Stabilizer Outbd LH	29S-7D5152-11	SMR5152-11	\$2,797	\$3,077	Please call
10	X	X	Stabilizer Outbd RH	29S-7D5152-12	SMR5152-12	\$2,797	\$3,077	Please call
11	X		Wing Ctr Inbd LH	29S-7D5152-15	SMR5152-15	\$1,827	\$2,009	Please call
12	X		Wing Ctr Inbd RH	29S-7D5152-16	SMR5152-16	\$1,827	\$2,009	Please call
17		X	Vertical Fin	29S-7D5152-25	SMR5152-25	\$4,621	\$5,084	Please call
18		X	Wing Inbd LH	29S-7D5152-35	SMR5152-95*	\$3,482	\$3,831	Please call
19		X	Wing Inbd RH	29S-7D5152-36	SMR5152-96*	\$3,482	\$3,831	Please call
20		X	Wing Ctr Inbd LH	29S-7D5152-37	SMR5152-37	\$1,827	\$2,009	Please call
21		X	Wing Ctr Inbd RH	29S-7D5152-38	SMR5152-38	\$1,827	\$2,009	Please call
22		X	Wing Ctr Outbd LH	29S-7D5152-41	SMR5152-41	\$2,699	\$2,969	Please call
23		X	Wing Ctr Outbd RH	29S-7D5152-42	SMR5152-42	\$2,699	\$2,969	Please call
24		X	Wing Outbd LH	29S-7D5152-43	SMR5152-43	\$2,954	\$3,249	Please call
25		X	Wing Outbd RH	29S-7D5152-44	SMR5152-44	\$2,954	\$3,249	Please call
13 & 26		X	Fus-Nac LH	29S-7D5152-17 29S-7D5152-27	SMR5152-17**	\$3,103	\$3,414	Please call
14 & 27		X	Fus-Nac RH	29S-7D5152-18 29S-7D5152-28	SMR5152-18**	\$3,103	\$3,414	Please call
15 & 28			Wing Inbd LH	29S-7D5152-21 29S-7D5152-29	SMR5152-21**	\$3,166	\$3,482	Please call
16 & 29			Wing Inbd RH	29S-7D5152-22 29S-7D5152-30	SMR5152-22**	\$3,166	\$3,482	Please call

\*Neoprene replacement for UTC Urethane de-ice boots  
 \*\*Neoprene replacement for UTC Neoprene and Urethane de-ice boots

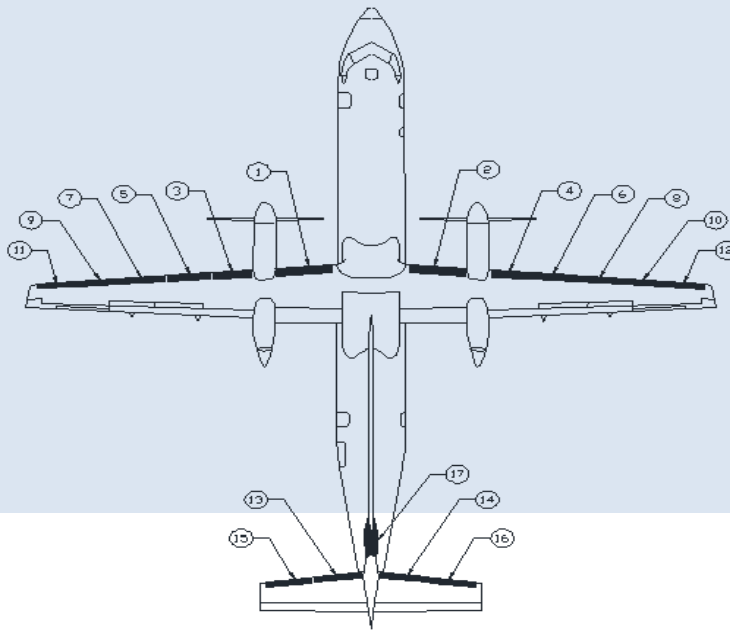


**Bombardier DHC-8-300**

Location:	Pre-Mod	Post-Mod	Location:	Goodrich P/N:	SMR P/N:	Std Boot List:	PSA Boot List:	Your Cost:
1	X		Wing Ctr Outbd LH	29S-7D5152-05	SMR5152-05	\$2,699	\$2,969	Please call
2	X		Wing Ctr Outbd RH	29S-7D5152-06	SMR5152-06	\$2,699	\$2,969	Please call
3	X		Wing Outbd LH	29S-7D5152-07	SMR5152-07	\$2,954	\$3,250	Please call
4	X		Wing Outbd RH	29S-7D5152-08	SMR5152-08	\$2,954	\$3,250	Please call
5	X	X	Stabilizer Inbd LH	29S-7D5152-09	SMR5152-09	\$2,681	\$2,949	Please call
6	X	X	Stabilizer Inbd RH	29S-7D5152-10	SMR5152-10	\$2,681	\$2,949	Please call
7	X	X	Stabilizer Outbd LH	29S-7D5152-11	SMR5152-11	\$2,797	\$3,077	Please call
8	X	X	Stabilizer Outbd RH	29S-7D5152-12	SMR5152-12	\$2,797	\$3,077	Please call
11	X		Wing Extension LH	29S-7D5152-23	SMR5152-23	\$1,714	\$1,886	Please call
12	X		Wing Extension RH	29S-7D5152-24	SMR5152-24	\$1,714	\$1,886	Please call
13	X	X	Vertical Fin	29S-7D5152-25	SMR5152-25	\$4,621	\$5,084	Please call
14	X		Wing Ctr Inbd LH	29S-7D5152-33	SMR5152-33	\$1,766	\$1,942	Please call
15	X		Wing Ctr Inbd RH	29S-7D5152-34	SMR5152-34	\$1,766	\$1,942	Please call
16		X	Wing Inbd LH	29S-7D5152-35	SMR5152-95*	\$3,482	\$3,831	Please call
17		X	Wing Inbd RH	29S-7D5152-36	SMR5152-96*	\$3,482	\$3,831	Please call
18		X	Wing Ctr Inbd LH	29S-7D5152-39	SMR5152-39	\$1,766	\$1,942	Please call
19		X	Wing Ctr Inbd RH	29S-7D5152-40	SMR5152-40	\$1,766	\$1,942	Please call
20		X	Wing Ctr Outbd LH	29S-7D5152-41	SMR5152-41	\$2,699	\$2,969	Please call
21		X	Wing Ctr Outbd RH	29S-7D5152-42	SMR5152-42	\$2,699	\$2,969	Please call
22		X	Wing Outbd LH	29S-7D5152-43	SMR5152-43	\$2,954	\$3,249	Please call
23		X	Wing Outbd RH	29S-7D5152-44	SMR5152-44	\$2,954	\$3,249	Please call
24		X	Wing Extension LH	29S-7D5152-45	SMR5152-45	\$1,714	\$1,886	Please call
25		X	Wing Extension RH	29S-7D5152-46	SMR5152-46	\$1,714	\$1,886	Please call
28	X		Wing Inbd LH	29S-7D5152-29	SMR5152-21	\$3,166	\$3,482	Please call
29	X		Wing Inbd RH	29S-7D5152-30	SMR5152-22	\$3,166	\$3,482	Please call
9 & 26	X	X	Fus-Nac LH	29S-7D5152-17 29S-7D5152-27	SMR5152-17**	\$3,103	\$3,414	Please call
10 & 27	X	X	Fus-Nac RH	29S-7D5152-18 29S-7D5152-28	SMR5152-18**	\$3,166	\$3,482	Please call

\*Neoprene replacement for UTC Urethane de-ice boots

\*\*Neoprene replacement for UTC Neoprene and Urethane de-ice boots



**Bombardier DHC-8-400 (Q400)**

Location:	Location:	Goodrich P/N:	SMR P/N:	Std Boot List:	PSA Boot List:	Your Cost:
1	Fus-Nac LH	29S-4D5277-01 P29S-4D5277-01	SMR5277-01	\$5,987	\$6,586	Please call
2	Fus-Nac RH	29S-4D5277-02 P29S-4D5277-02	SMR5277-02	\$5,987	\$6,586	Please call
3	Inbd LH	29S-4D5277-03 P29S-4D5277-03	SMR5277-03	\$5,957	\$6,553	Please call
4	Inbd RH	29S-4D5277-04 P29S-4D5277-04	SMR5277-04	\$5,957	\$6,553	Please call
5	Center Inbd LH	29S-4D5277-05 P29S-4D5277-05	SMR5277-05	\$4,996	\$5,495	Please call
6	Center Inbd RH	29S-4D5277-06 P29S-4D5277-06	SMR5277-06	\$4,996	\$5,495	Please call
7	Center Outbd LH	29S-4D5277-07 P29S-4D5277-07	SMR5277-07	\$5,638	\$6,201	Please call
8	Center Outbd RH	29S-4D5277-08 P29S-4D5277-08	SMR5277-08	\$5,638	\$6,201	Please call
9	Outbd LH	29S-4D5277-09 P29S-4D5277-09	SMR5277-09	\$5,071	\$5,578	Please call
10	Outbd RH	29S-4D5277-10 P29S-4D5277-10	SMR5277-10	\$5,071	\$5,578	Please call
11	Wing Extension LH	29S-4D5277-11 P29S-4D5277-11	SMR5277-11	\$4,347	\$4,782	Please call
12	Wing Extension RH	29S-4D5277-12 P29S-4D5277-12	SMR5277-12	\$4,347	\$4,782	Please call
13	Horizontal Stab Inbd LH	29S-4D5277-13 P29S-4D5277-13	SMR5277-13	\$5,276	\$5,804	Please call
14	Horizontal Stab Inbd RH	29S-4D5277-14 P29S-4D5277-14	SMR5277-14	\$5,276	\$5,804	Please call
15	Horizontal Stab Outbd LH	29S-4D5277-15 P29S-4D5277-15	SMR5277-15	\$5,385	\$5,924	Please call
16	Horizontal Stab Outbd RH	29S-4D5277-16 P29S-4D5277-16	SMR5277-16	\$5,385	\$5,924	Please call
17	Vertical Fin	29S-4D5277-17 P29S-4D5277-17	SMR5277-17	\$5,843	\$6,428	Please call
	Engine Inlet	29S-5D5277-19 P29S-5D5277-19	SMR16225-1	\$7,273	N/A	Please call
	Electrothermal Propeller Boot	697070208	SMR697070208	\$2,805	N/A	Please call



### Casa 235

235	Location:	Goodrich P/N:	SMR P/N:	Std Boot List:	PSA Boot List:	Your Cost:
X	Nac-Brk LH	29S-7D5154-01	SMR5154-01	\$5,324	\$5,856	Please call
X	Nac-Brk RH	29S-7D5154-02	SMR5154-02	\$5,324	\$5,856	Please call
X	Brk-Tip LH	29S-7D5154-03	SMR5154-03	\$5,626	\$6,189	Please call
X	Brk-Tip RH	29S-7D5154-04	SMR5154-04	\$5,626	\$6,189	Please call
X	Horiz Stab LH	29S-7D5154-05	SMR5154-05	\$6,700	\$7,370	Please call
X	Horiz Stab RH	29S-7D5154-06	SMR5154-06	\$6,700	\$7,370	Please call
X	Vertical Fin	29S-7D5154-07	SMR5154-07	\$6,594	\$7,253	Please call
X	Horiz Stab LH	29S-7D5154-09	SMR5154-09	\$6,688	\$7,357	Please call
X	Horiz Stab RH	29S-7D5154-10	SMR5154-10	\$6,688	\$7,357	Please call
X	Nac-Brk LH	29S-7D5154-11	SMR5154-11	\$7,131	\$7,844	Please call
X	Nac-Brk RH	29S-7D5154-12	SMR5154-12	\$7,131	\$7,844	Please call
X	Brk-Tip LH	29S-7D5154-13	SMR5154-13	\$7,077	\$7,785	Please call
X	Brk-Tip RH	29S-7D5154-14	SMR5154-14	\$7,077	\$7,785	Please call
X	Horiz Stab LH	29S-7D5154-21	SMR5154-21	\$7,370	\$8,107	Please call
X	Horiz Stab RH	29S-7D5154-22	SMR5154-22	\$7,370	\$8,107	Please call
X	Horiz Stab LH	29S-7D5154-23	SMR5154-23	\$7,357	\$8,093	Please call
X	Horiz Stab RH	29S-7D5154-24	SMR5154-24	\$7,357	\$8,093	Please call

### Cessna 208 Caravan

208, 208A, 208B	Location:	Goodrich P/N:	SMR P/N:	Std Boot List:	PSA Boot List:	Your Cost:
X	Cargo Box	29S-7D5175-15	SMR5175-15	\$3,326	\$3,659	Please call
X	MLG Fairing	35-7D5175-21	SMR5175-21	\$1,264	\$1,391	Please call
X	MLG Fairing	35-7D5175-22	SMR5175-22	\$1,264	\$1,391	Please call
X	Inbd Wing LH	25S-7D5175-01 29S-7D5175-23	SMR5175-23	\$7,890	\$8,680	Please call
X	Inbd Wing RH	25S-7D5175-02 29S-7D5175-24	SMR5175-24	\$7,890	\$8,680	Please call
X	Outbd Wing LH	25S-7D5175-11 29S-7D5175-25	SMR5175-25	\$6,792	\$7,471	Please call
X	Outbd Wing RH	25S-7D5175-12 29S-7D5175-26	SMR5175-26	\$6,792	\$7,471	Please call
X	Horiz Stab	25S-7D5175-05 29S-7D5175-27	SMR5175-27	\$4,890	\$5,379	Please call
X	Vertical Fin	25S-7D5175-07 29S-7D5175-29	SMR5175-29	\$3,446	\$3,791	Please call
X	Strut	25S-7D5175-09 29S-7D5175-31	SMR5175-31	\$4,136	\$4,550	Please call

### Cessna 210 Centurion

210, 210A, 210B, 210C, 210D, 210E, 210F, 210G, 210H, 210J, 210K, 210L, 210M (Up to 62868) T210F, T210G, T210H, T210J, T210K, T210L, T210M (Up to 62868) P210N (1 to 120)	Location:	Goodrich P/N:	SMR P/N:	Std Boot List:	PSA Boot List:	Your Cost:
X	Horiz Stab	23S-2038-3-1	SMR2038-3-1	\$3,344	\$3,678	Please call
X	Wing LH	23S-2038-5-1	SMR2038-5-1	\$6,129	\$6,742	Please call
X	Wing RH	23S-2038-5-2	SMR2038-5-2	\$6,697	\$7,366	Please call
X	Wing LH	23S-2038-6-1	SMR2038-6-1	\$6,365	\$7,002	Please call

FAA requires Ice Shield 2 de-ice boots to be replaced in left & right pairs

### Cessna 210 Centurion

210N	P210N 121-834	T210N	T210N 62955-64722	Location:	Goodrich P/N:	SMR P/N:	Std Boot List:	PSA Boot List:	Your Cost:
X	X		X	Wing LH	25S-5D5101-01	SMR5101-01	\$5,607	\$6,169	Please call
X	X		X	Wing RH	25S-5D5101-02	SMR5101-02	\$5,552	\$6,108	Please call
X	X	X	X*	Horiz Stab LH	25S-5D5101-03	SMR5101-03	\$3,009	\$3,310	Please call
X	X	X	X*	Horiz Stab RH	25S-5D5101-04	SMR5101-04	\$3,009	\$3,310	Please call
X	X	X	X*	Vertical Fin	25S-5D5101-05	SMR5101-05	\$2,564	\$2,820	Please call

\*No S/N break

**Cessna 210**

T210R, 210R, P210R	Location:	Goodrich P/N:	SMR P/N:	Std Boot List:	PSA Boot List:	Your Cost:
X	Vertical Fin	25S-5D5101-05	<b>SMR5101-05</b>	\$2,564	\$2,820	Please call
X	Wing LH	25S-5D5170-01	<b>SMR5170-01</b>	\$5,675	\$6,243	Please call
X	Wing RH	25S-5D5170-02	<b>SMR5170-02</b>	\$5,571	\$6,128	Please call
X	Horiz Stab LH	25S-5D5170-03	<b>SMR5170-03</b>	\$3,400	\$3,739	Please call
X	Horiz Stab RH	25S-5D5170-04	<b>SMR5170-04</b>	\$3,400	\$3,739	Please call
X	Wing Tip LH	25S-5D5170-07	<b>SMR5170-07*</b>	\$1,743	\$1,917	Please call
X	Wing Tip RH	25S-5D5170-08	<b>SMR5170-08</b>	\$1,743	\$1,917	Please call

\*Special order, contact Tiffin Aire, Inc. for lead time.

**Cessna 300**

310A, 310B, 310C 310D, 310E, 310F 310G	310H, 310I, 310J 310K, 310L 310N, 310P	310Q, E310H E310J T310P, E310Q	310R T310R 1-800	Location:	Goodrich P/N:	SMR P/N:	Std Boot List:	PSA Boot List:	Your Cost:
X	X	X	X	Nac-Tip LH	23S-2010-1-1	<b>SMR2010-1-1</b>	\$5,588	\$6,147	Please call
X	X	X	X	Nac-Tip RH w/o LT	23S-2010-1-2	<b>SMR2010-1-2</b>	\$5,181	\$5,699	Please call
X	X	X	X	Horiz Stab	23S-2010-2-1	<b>SMR2010-2-1</b>	\$4,526	\$4,979	Please call
X	X	X	X	Nac-Tip RH w/ LT	23S-2010-3-2	<b>SMR2010-3-2*</b>	\$5,423	\$5,966	Please call

FAA requires Ice Shield 2 de-ice boots to be replaced in left & right pairs. \*Special order, contact Tiffin Aire, Inc. for lead time.

**Cessna 300**

320, 320A, 320B, 320C, 320D, 320E	Location:	Goodrich P/N:	SMR P/N:	Std Boot List:	PSA Boot List:	Your Cost:
X	Horiz Stab	23S-2010-2-1	<b>SMR2010-2-1</b>	\$4,526	\$4,979	Please call
X	Nac-Tip LH	23S-2010-6-1	<b>SMR2010-6-1</b>	\$5,664	\$6,231	Please call
X	Nac-Tip RH	23S-2010-6-2	<b>SMR2010-6-2</b>	\$5,274	\$5,802	Please call

FAA requires Ice Shield 2 de-ice boots to be replaced in left & right pairs

**Cessna 300**

320F	340	Location:	Goodrich P/N:	SMR P/N:	Std Boot List:	PSA Boot List:	Your Cost:
	X	Nac-Tip LH	23S-2010-1-1	<b>SMR2010-1-1</b>	\$5,588	\$6,147	Please call
	X	Nac-Tip RH	23S-2010-1-2	<b>SMR2010-1-2</b>	\$5,181	\$5,699	Please call
X	X	Horiz Stab	23S-2010-2-1	<b>SMR2010-2-1</b>	\$4,526	\$4,979	Please call
	X	Vertical Fin	23S-2010-5-1	<b>SMR2010-5-1</b>	\$3,516	\$3,867	Please call
X		Nac-Tip LH	23S-2010-6-1	<b>SMR2010-6-1</b>	\$5,664	\$6,231	Please call
X		Nac-Tip RH	23S-2010-6-2	<b>SMR2010-6-2</b>	\$5,274	\$5,802	Please call
	*X	Horiz Stab	25S-4D5147-03	<b>SMR5147-03</b>	\$3,571	\$3,928	Please call

FAA requires Ice Shield 2 de-ice boots to be replaced in left & right pairs

\*SMR5147-03 eligible for S/N: 340-0001 to 340-0115, 340-0151 to 340-0260, 340-0301 to 340-0370 and 340-0501 to 340-0555

**Cessna 300**

310R	335	340A	Location:	Goodrich P/N:	SMR P/N:	Std Boot List:	PSA Boot List:	Your Cost:
X	X	X	Nac-Tip LH	27S-7D5070-03	<b>SMR5070-03</b>	\$5,876	\$6,463	Please call
X	X	X	Nac-Tip RH	27S-7D5070-04	<b>SMR5070-04</b>	\$5,876	\$6,463	Please call
X	X	X	Horiz Stab	27S-7D5070-11	<b>SMR5070-11</b>	\$3,746	\$4,120	Please call
X	X	X	Vertical Fin	27S-7D5070-13	<b>SMR5070-13</b>	\$3,589	\$3,947	Please call
X			Fus-Nac LH	27S-7D5070-29	<b>SMR5070-29</b>	\$2,834	\$3,117	Please call
X			Fus-Nac RH	27S-7D5070-30	<b>SMR5070-30</b>	\$2,834	\$3,117	Please call
		X	Fus-Nac LH	27S-7D5070-31	<b>SMR5070-31</b>	\$2,759	\$3,035	Please call
		X	Fus-Nac RH	27S-7D5070-32	<b>SMR5070-32</b>	\$2,759	\$3,035	Please call
	X		Fus-Nac LH	27S-7D5070-51	<b>SMR5070-51**</b>	\$3,210	\$3,531	Please call
	X		Fus-Nac RH	27S-7D5070-52	<b>SMR5070-52**</b>	\$3,210	\$3,531	Please call
		*X	Horiz Stab	25S-4D5147-03	<b>SMR5147-03</b>	\$3,571	\$3,928	Please call

\*SMR5147-03 eligible for 340A S/N: 340A0001 to 340A0125. \*\*Special order, contact Tiffin Aire, Inc. for lead time.

### Cessna T303 Crusader

T303	Location:	Goodrich P/N:	SMR P/N:	Std Boot List:	PSA Boot List:	Your Cost:
X	Inbd Wing LH	25S-5D5124-01	SMR5124-01*	\$3,642	\$4,006	Please call
X	Inbd Wing RH	25S-5D5124-02	SMR5124-02*	\$3,642	\$4,006	Please call
X	Outbd Wing LH	25S-5D5124-03	SMR5124-03*	\$5,355	\$5,891	Please call
X	Outbd Wing RH	25S-5D5124-04	SMR5124-04*	\$5,355	\$5,891	Please call
X	Horiz Stab LH	25S-5D5124-05	SMR5124-05*	\$3,625	\$3,987	Please call
X	Horiz Stab RH	25S-5D5124-06	SMR5124-06*	\$3,625	\$3,987	Please call
X	Vertical Fin	25S-5D5124-07	SMR5124-07*	\$3,243	\$3,567	Please call

\*Special order, contact Tiffin Aire, Inc. for lead time.

### Cessna 337 Skymaster

337G, F337G, FT337GP	T337G	337H, P337H, FT337HP, T337H, T337-SP, F337H	Location:	Goodrich P/N:	SMR P/N:	Std Boot List:	PSA Boot List:	Your Cost:
X	X		Fus-Tip LH	25S-5D5053-01	SMR5053-01	\$10,257	\$11,283	Please call
X	X	X	Fus-Tip RH	25S-5D5053-02	SMR5053-02	\$10,257	\$11,283	Please call
X	X	X	Horiz Stab	25S-5D5053-03	SMR5053-03	\$5,924	\$6,516	Please call
X		X	Fus-Tip LH	25S-5D5053-05	SMR5053-05	\$10,403	\$11,443	Please call

### Cessna 400 (401, 402)

401, 401A, 401B, 402, 402A, 402B (1-800)	Location:	Goodrich P/N:	SMR P/N:	Std Boot List:	PSA Boot List:	Your Cost:
X	Nac-Tip LH	23S-2010-6-1	SMR2010-6-1	\$5,664	\$6,231	Please call
X	Nac-Tip RH	23S-2010-6-2	SMR2010-6-2	\$5,274	\$5,802	Please call
X	Horiz Stab	23S-2074-2-1	SMR2074-2-1	\$3,487	\$3,835	Please call
X	Vertical Fin	23S-2074-3-1	SMR2074-3-1	\$4,742	\$5,216	Please call

FAA requires Ice Shield 2 de-ice boots to be replaced in left & right pairs

### Cessna 400 (402, 404)

402B	402C w/Lights	402C w/o Lights	404 0001 to 0600	404 0601 & Up	Location:	Goodrich P/N:	SMR P/N:	Std Boot List:	PSA Boot List:	Your Cost:
X					Nac-Tip LH	27S-7D5070-03	SMR5070-03	\$5,876	\$6,463	Please call
X					Nac-Tip RH	27S-7D5070-04	SMR5070-04	\$5,876	\$6,463	Please call
X					Fus-Nac LH	27S-7D5070-05	SMR5070-05	\$3,174	\$3,492	Please call
X					Fus-Nac RH	27S-7D5070-06	SMR5070-06	\$3,174	\$3,492	Please call
X	X	X			Horiz Stab	27S-7D5070-11	SMR5070-11	\$3,746	\$4,120	Please call
X					Vertical Fin	27S-7D5070-13	SMR5070-13	\$3,589	\$3,947	Please call
	X	X			Vertical Fin	27S-7D5070-14	SMR5070-14	\$3,589	\$3,947	Please call
			X	X	Fus-Nac LH	27S-7D5070-17	SMR5070-17	\$2,675	\$2,942	Please call
			X	X	Fus-Nac RH	27S-7D5070-18	SMR5070-18	\$2,675	\$2,942	Please call
			X	X	Horiz Stab	27S-7D5070-21	SMR5070-21	\$3,783	\$4,161	Please call
			X	X	Vertical Fin	27S-7D5070-23	SMR5070-23	\$3,451	\$3,796	Please call
			X	X	Fairing LH	27S-7D5070-33	SMR5070-33	\$4,880	\$5,368	Please call
			X	X	Fairing RH	27S-7D5070-34	SMR5070-34	\$4,880	\$5,368	Please call
			X		Nac-Tip RH	27S-7D5070-36	SMR5070-36	\$6,272	\$6,900	Please call
		X			Nac-Tip LH	27S-7D5070-37	SMR5070-37	\$6,938	\$7,632	Please call
		X			Nac-Tip RH	27S-7D5070-38	SMR5070-38	\$6,365	\$7,002	Please call
			X		Nac-Tip LH	27S-7D5070-39	SMR5070-39	\$6,365	\$7,002	Please call
	X	X			Fus-Nac LH	27S-7D5070-41	SMR5070-41	\$3,761	\$4,137	Please call
	X	X			Fus-Nac RH	27S-7D5070-42	SMR5070-42	\$3,761	\$4,137	Please call
				X	Nac-Tip LH	27S-7D5070-45	SMR5070-45	\$7,187	\$7,906	Please call
				X	Nac-Tip RH	27S-7D5070-46	SMR5070-46	\$7,390	\$8,130	Please call
	X				Nac-Tip LH	27S-7D5070-59	SMR5070-59	\$5,931	\$6,524	Please call
	X				Nac-Tip RH	27S-7D5070-60	SMR5070-60*	\$5,931	\$6,524	Please call

\*Special order, contact Tiffin Aire, Inc. for lead time.

### Cessna 400 (411, 414, 421)

411, 411A	414 1-600	421, 421A	421B 1-800	421B 120-800	Location:	Goodrich P/N:	SMR P/N:	Std Boot List:	PSA Boot List:	Your Cost:
	X				Nac-Tip LH	23S-2010-6-1	SMR2010-6-1	\$5,664	\$6,231	Please call
	X				Nac-Tip RH	23S-2010-6-2	SMR2010-6-2	\$5,274	\$5,802	Please call
X		X	X	X	Nac-Tip LH	23S-2074-1-1	SMR2074-1-1	\$4,519	\$4,971	Please call
X		X	X	X	Nac-Tip RH	23S-2074-1-2	SMR2074-1-2	\$4,844	\$5,329	Please call
X	X	X	X	X	Horiz Stab	23S-2074-2-1	SMR2074-2-1	\$3,487	\$3,835	Please call
X	X	X	X	X	Vertical Fin	23S-2074-3-1	SMR2074-3-1	\$4,742	\$5,216	Please call
				X	Fus-Nac LH	23S-2074-4-1	SMR2074-4-1	\$3,626	\$3,988	Please call
				X	Fus-Nac RH	23S-2074-4-2	SMR2074-4-2	\$3,626	\$3,988	Please call

FAA requires Ice Shield 2 de-ice boots to be replaced in left & right pairs

### Cessna 400 (414, 421)

414	414A w/Lights	414A w/o Lights	421B	421C w/Lights	421C w/o Lights	Location:	Goodrich P/N:	SMR P/N:	Std Boot List:	PSA Boot List:	Your Cost:
X						Fus-Nac LH	27S-7D5070-01	SMR5070-01	\$3,026	\$3,329	Please call
X						Fus-Nac RH	27S-7D5070-02	SMR5070-02	\$3,026	\$3,329	Please call
X						Nac-Tip LH	27S-7D5070-03	SMR5070-03	\$5,876	\$6,463	Please call
X						Nac-Tip RH	27S-7D5070-04	SMR5070-04	\$5,876	\$6,463	Please call
	X	X	X	X	X	Fus-Nac LH	27S-7D5070-07	SMR5070-07	\$3,026	\$3,329	Please call
	X	X	X	X	X	Fus-Nac RH	27S-7D5070-08	SMR5070-08	\$3,026	\$3,329	Please call
			X			Nac-Tip LH	27S-7D5070-09	SMR5070-09	\$5,249	\$5,773	Please call
			X			Nac-Tip RH	27S-7D5070-10	SMR5070-10	\$5,249	\$5,773	Please call
X	X	X	X	X	X	Horiz Stab	27S-7D5070-11	SMR5070-11	\$3,746	\$4,120	Please call
X			X			Vertical Fin	27S-7D5070-13	SMR5070-13	\$3,589	\$3,947	Please call
	X	X		X	X	Vertical Fin	27S-7D5070-14	SMR5070-14	\$3,589	\$3,947	Please call
					X	Nac-Tip LH	27S-7D5070-15	SMR5070-15	\$6,669	\$7,336	Please call
					X	Nac-Tip RH	27S-7D5070-16	SMR5070-16	\$6,669	\$7,336	Please call
		X				Nac-Tip LH	27S-7D5070-37	SMR5070-37	\$6,938	\$7,632	Please call
		X				Nac-Tip RH	27S-7D5070-38	SMR5070-38	\$6,365	\$7,002	Please call
				X		Nac-Tip LH	27S-7D5070-57	SMR5070-57	\$5,285	\$5,814	Please call
				X		Nac-Tip RH	27S-7D5070-58	SMR5070-58*	\$5,285	\$5,814	Please call
	X					Nac-Tip LH	27S-7D5070-59	SMR5070-59	\$5,931	\$6,524	Please call
	X					Nac-Tip RH	27S-7D5070-60	SMR5070-60*	\$5,931	\$6,524	Please call

\*Special order, contact Tiffin Aire, Inc. for lead time.

### Cessna 400 (425)

425 to 190	425 191 & Up	Location:	Goodrich P/N:	SMR P/N:	Std Boot List:	PSA Boot List:	Your Cost:
X	X	Vertical Fin	27S-7D5070-14	SMR5070-14	\$3,589	\$3,947	Please call
X	X	Horiz Stab	27S-7D5070-21	SMR5070-21	\$3,783	\$4,161	Please call
X		Nac-Tip LH	27S-7D5070-49	SMR5070-49	\$7,888	\$8,677	Please call
X		Nac-Tip RH	27S-7D5070-50	SMR5070-50	\$7,888	\$8,677	Please call
X	X	Fus-Nac LH	27S-7D5070-53	SMR5070-53	\$4,280	\$4,708	Please call
X	X	Fus-Nac RH	27S-7D5070-54	SMR5070-54	\$4,280	\$4,708	Please call
	X	Nac-Tip LH	27S-7D5070-55	SMR5070-55	\$5,812	\$6,392	Please call
	X	Nac-Tip RH	27S-7D5070-56	SMR5070-56	\$5,812	\$6,392	Please call

### Cessna 400 (406, 441)

406	441 1-102	441 103 & Up	Location:	Goodrich P/N:	SMR P/N:	Std Boot List:	PSA Boot List:	Your Cost:
	X	X	Horiz Stab	27S-7D5070-21	SMR5070-21	\$3,783	\$4,161	Please call
	X	X	Vertical Fin	27S-7D5070-23	SMR5070-23	\$3,451	\$3,796	Please call
X	X	X	Fus-Nac LH	27S-7D5109-01	SMR5109-01	\$5,088	\$5,597	Please call
X	X	X	Fus-Nac RH	27S-7D5109-02	SMR5109-02	\$5,088	\$5,597	Please call
	X		Nac-Tip LH	27S-7D5109-03	SMR5109-03	\$8,817	\$9,698	Please call
	X		Nac-Tip RH	27S-7D5109-04	SMR5109-04	\$8,817	\$9,698	Please call
	X	X	Fus-Nac Ext	27S-7D5109-05	SMR5109-05	\$3,345	\$3,679	Please call
		X	Nac-Tip LH	27S-7D5109-07	SMR5109-07	\$9,352	\$10,287	Please call
		X	Nac-Tip RH	27S-7D5109-08	SMR5109-08	\$9,352	\$10,287	Please call

### Cessna 500 Citation

500 0001-0349	500 0350 & up	500 STC SA645NW	Location:	Goodrich P/N:	SMR P/N:	Std Boot List:	PSA Boot List:	Your Cost:
X			Wing LH	25S-7D5059-01	SMR5059-01	\$6,676	\$7,345	Please call
X			Wing RH	25S-7D5059-02	SMR5059-02	\$6,676	\$7,345	Please call
X*	X*	X*	Horiz Stab	25S-7D5059-03	SMR5059-03	\$3,993	\$4,392	Please call
X	X	X	Vertical Fin	25S-7D5059-05	SMR5059-05	\$3,587	\$3,945	Please call
	X		Wing LH	25S-7D5059-07	SMR5059-07	\$7,863	\$8,649	Please call
	X		Wing RH	25S-7D5059-08	SMR5059-08	\$7,863	\$8,649	Please call
		X	Wing LH	25S-7D5059-11	SMR5059-11	\$6,620	\$7,282	Please call
		X	Wing RH	25S-7D5059-12	SMR5059-12	\$6,620	\$7,282	Please call
X*	X*	X*	Horiz Stab	25S-7D5059-13	SMR5059-13	\$4,051	\$4,456	Please call

\*SMR5059-03 and SMR5059-13 are interchangeable



### Cessna 501, 550, 551 Citation

501	550	551	Location:	Goodrich P/N:	SMR P/N:	Std Boot List:	PSA Boot List:	Your Cost:
X	X*	X	Horiz Stab	25S-7D5059-03	SMR5059-03	\$3,993	\$4,392	Please call
X	X	X	Vertical Fin	25S-7D5059-05	SMR5059-05	\$3,587	\$3,945	Please call
X			Wing LH	25S-7D5059-07	SMR5059-07	\$7,863	\$8,649	Please call
X			Wing RH	25S-7D5059-08	SMR5059-08	\$7,863	\$8,649	Please call
	X	X	Wing LH	25S-7D5059-09	SMR5059-09	\$7,983	\$8,781	Please call
	X	X	Wing RH	25S-7D5059-10	SMR5059-10	\$7,983	\$8,781	Please call
			Wing LH	25S-7D5059-11	SMR5059-11	\$6,620	\$7,282	Please call
			Wing RH	25S-7D5059-12	SMR5059-12	\$6,620	\$7,282	Please call
	X*		Horiz Stab	25S-7D5059-13	SMR5059-13	\$4,051	\$4,456	Please call

**\*SMR5059-03 and SMR5059-13 are interchangeable**

### Cessna 525 Citation

525 0001 thru 0501	525 0502 and Up	525A	525B	525C	Location:	Goodrich P/N:	SMR P/N:	Std Boot List:	PSA Boot List:	Your Cost:
X*					Horiz Stab LH	25S-4D5244-01	SMR5244-01	\$5,278	\$5,805	Please call
X**					Horiz Stab RH	25S-4D5244-02	SMR5244-02	\$5,278	\$5,805	Please call
X*	X				Horiz Stab LH	29S-4D5244-11	SMR5244-11	\$5,005	\$5,505	Please call
X**	X				Horiz Stab RH	29S-4D5244-12	SMR5244-12	\$5,005	\$5,505	Please call
		X	X		Horiz Stab LH	29S-4D5244-15	SMR5244-15	\$5,295	\$5,825	Please call
		X	X		Horiz Stab RH	29S-4D5244-16	SMR5244-16	\$5,295	\$5,825	Please call
				X	Horiz Stab LH	P29S-4D5329-03	SMR5329-03	\$6,279	\$6,907	Please call
				X	Horiz Stab RH	P29S-4D5329-04	SMR5329-04	\$6,279	\$6,907	Please call

**\*SMR5244-11 is the preferred replacement for the SMR5244-01, \*\*SMR5244-12 is the preferred replacement for the SMR5244-02**

### Cessna 560 Citation

560	560 XL	Location:	Goodrich P/N:	SMR P/N:	Std Boot List:	PSA Boot List:	Your Cost:
X		Wing LH	35-5D5230-01	SMR5230-01	\$12,020	\$13,222	Please call
X		Wing RH	35-5D5230-02	SMR5230-02	\$12,020	\$13,222	Please call
X		Horiz Stab LH	29S-5D5225-05	SMR5225-05	\$7,263	\$7,989	Please call
X		Horiz Stab RH	29S-5D5225-06	SMR5225-06*	\$7,263	\$7,989	Please call
	X	Horiz Stab LH	29S-4D5280-01	SMR5280-01	\$4,791	\$5,270	Please call
	X	Horiz Stab RH	29S-4D5280-02	SMR5280-02	\$4,791	\$5,270	Please call
		SILVER Horiz Stab LH	S29S-4D5280-21	SMR5280-21	\$	\$	Please call
		SILVER Horiz Stab RH	S29S-4D5280-22	SMR5280-22	\$	\$	Please call

**\*Special order, contact Tiffin Aire, Inc. for lead time.**

### Daher Socata TBM 700/850

#### Boots Only

700/850	Location:	TBM P/N:	SMR P/N:	Std Boot List:	Your Cost:
X	RH Outbd Wing	6001507232	SMR9056-306	\$3,081	Please call
X	LH Center Wing	6044507225	SMR9056-303	\$2,416	Please call
X	RH Center Wing	6044507224	SMR9056-304	\$2,416	Please call
X	LH Inboard Wing	6044507221	SMR9056-301	\$2,847	Please call
X	RH Inboard Wing	6044507220	SMR9056-302	\$2,847	Please call
X	LH Outbd Wing W/ Radar Pod	6044507230	SMR9056-305	\$2,219	Please call
X	LH Outbd Wing W/O Radar Pod	6044507231	SMR9056-305-1	\$2,219	Please call
X	LH Horizontal Stab	6044507227	SMR9056-307	\$2,454	Please call
X	RH Horizontal Stab	6044507226	SMR9056-308	\$2,454	Please call
X	Vertical Fin	N/A	SMR9056-309	\$2,454	Please call
X	LH or RH Elevator Horn	6001507225	SMR9056-11	\$1,786	Please call

**Ice Shield De-ice Boots are eligible for installation on SMR Technologies leading edges**



**Daher Socata TBM 700/850**  
**Drilled Leading Edge Assemblies**

700/850	700/850	Location:	TBM P/N:	SMR P/N:	Std Boot List:	Your Cost:
S/N: 63, 68 to 72, 74 to 78, 80, 83 to 9999	S/N: 52, 53, 57, 59, 60 to 63, 67 to 78, 80, 82 thru 9999					
X	X	RH Outbd Wing LE	T700A301000101900	SMR9056-106	\$5,823	Please call
X	X	LH Center Wing LE	T700A301000101400	SMR9056-103	\$5,968	Please call
X	X	RH Center Wing LE	T700A301000101500	SMR9056-104	\$5,968	Please call
X	X	LH Inboard Wing LE	T700A301000101200	SMR9056-101	\$6,924	Please call
X	X	RH Inboard Wing LE	T700A301000101300	SMR9056-102	\$6,924	Please call
X	X	LH Outbd Wing W/ Radar Pod LE	T700A301001200100	SMR9056-105	\$5,895	Please call
X	X	LH Outbd Wing W/O Radar Pod LE	T700A301000101600	SMR9056-105-1	\$5,895	Please call
X	X	LH Horiz Stab LE	T700A3013003000	SMR9056-107	\$4,495	Please call
X	X	RH Horiz Stab LE	T700A3013003001	SMR9056-108	\$4,495	Please call
X	X	Vertical Fin LE	T700A3014003000	SMR9056-109	\$5,951	Please call

**Daher Socata TBM 700/850**  
**Undrilled Leading Edge Assemblies**

700/850	700/850	Location:	TBM P/N:	SMR P/N:	Std Boot List:	Your Cost:
S/N: 1 thru 62,67,73	S/N: 1 thru 35, 38, 39, 46, 49, 50					
X	X	RH Outbd Wing LE	T700A3010001920	SMR9056-206	\$5,823	Please call
X	X	LH Center Wing LE	T700A3010001916	SMR9056-203	\$5,554	Please call
X	X	RH Center Wing LE	T700A3010001919	SMR9056-204	\$5,685	Please call
X	X	LH Inboard Wing LE	T700A3010001915	SMR9056-201	\$6,924	Please call
X	X	RH Inboard Wing LE	T700A3010001918	SMR9056-202	\$6,924	Please call
X	X	LH Outbd Wing W/ Radar Pod LE	T700A3010012915	SMR9056-205	\$5,823	Please call
X	X	LH Outbd Wing W/O Radar Pod LE	T700A3010012916	SMR9056-205-1	\$5,823	Please call
X	X	LH Horiz Stab LE	T700A3013003915	SMR9056-207	\$4,495	Please call
X	X	RH Horiz Stab LE	T700A3013003916	SMR9056-208	\$4,495	Please call
X	X	Vertical Fin LE	T700A3014003915	SMR9056-209	\$4,712	Please call

**DeHavilland (Viking) DHC-6 Twin Otter**

DHC6 (All), DHC6-100, DHC6-200, DHC6-300	Location:	Goodrich P/N:	SMR P/N:	Std Boot List:	PSA Boot List:	Your Cost:
X	Engine Inlet	5E1346	SMR1346	\$2,276	N/A	Please call
X	Wing LH	23S-2099-1-1	SMR2099-1-1	\$8,042	\$8,847	Please call
X	Wing RH	23S-2099-1-2	SMR2099-1-2	\$8,042	\$8,847	Please call
X	Horiz Stab LH	23S-2099-50-1	SMR2099-50-1	\$5,183	\$5,701	Please call
X	Horiz Stab RH	23S-2099-50-2	SMR2099-50-2	\$5,183	\$5,701	Please call

**FAA requires Ice Shield 2 de-ice boots to be replaced in left & right pairs (replacement option for Goodrich tube-type de-icers)**

**Dornier DO-228**

100, 101, 200, 201, 202, 212	Location:	Goodrich P/N:	SMR P/N:	Std Boot List:	PSA Boot List:	Your Cost:
X	Brk-Tip LH	29S-5D5138-03	SMR5138-03	\$4,608	\$5,069	Please call
X	Brk-Tip RH	29S-5D5138-04	SMR5138-04	\$4,608	\$5,069	Please call
X	Horiz Stab LH	30S-5D5138-05	SMR5138-05	\$10,492	\$11,541	Please call
X	Horiz Stab RH	30S-5D5138-06	SMR5138-06	\$10,492	\$11,541	Please call
X	Vertical Fin	29S-5D5138-07	SMR5138-07	\$4,345	\$4,779	Please call
X	Nac-Brk LH	29S-5D5138-11	SMR5138-11	\$4,647	\$5,112	Please call
X	Nac-Brk RH	29S-5D5138-12	SMR5138-12	\$4,647	\$5,112	Please call
X	Fus-Nac LH	29S-5D5138-15	SMR5138-15	\$4,516	\$4,967	Please call
X*	Fus-Nac RH	29S-5D5138-16	SMR5138-16***	\$4,516	\$4,967	Please call
X**	Fus-Nac RH	29S-5D5138-18	SMR5138-18	\$4,128	\$4,541	Please call
X	Fus-Nac LH	29S-5D5138-19	SMR5138-19	\$3,756	\$4,131	Please call

**SMR5138-15: 5.2 x 7.5 in cut-out, SMR5138-19: 5.2 x 2.0 in cut-out, \*Without optional pressure refueling, \*\*With optional pressure refueling**

**\*\*\*Special order, contact Tiffin Aire, Inc. for lead time.**

### Dornier 328

328-100	328-300	Location:	Goodrich P/N:	SMR P/N:	Std Boot List:	PSA Boot List:	Your Cost:
X	X	Outbd Wing LH	29S-7D5240-01	SMR5240-01	\$6,318	\$6,950	Please call
X	X	Outbd Wing RH	29S-7D5240-02	SMR5240-02	\$6,318	\$6,950	Please call
X	X	Center Wing LH	29S-7D5240-03	SMR5240-03	\$8,062	\$8,868	Please call
X	X	Center Wing RH	29S-7D5240-04	SMR5240-04	\$8,238	\$9,061	Please call
X	X	Outbd Horiz Stab LH	29S-7D5240-07	SMR5240-07	\$11,408	\$12,549	Please call
X	X	Outbd Horiz Stab RH	29S-7D5240-08	SMR5240-08	\$11,408	\$12,549	Please call
X		Vert Fin Tip	29S-7D5240-33	SMR5240-33	\$7,166	\$7,883	Please call
X	X	Inbd Horiz Stab LH	29S-7D5240-35	SMR5240-35	\$5,135	\$5,648	Please call
X	X	Inbd Horiz Stab RH	29S-7D5240-36	SMR5240-36	\$4,939	\$5,433	Please call
X	X	Inbd Wing LH	29S-7D5240-45	SMR5240-45	\$17,776	N/A	Please call
X	X	Inbd Wing RH	29S-7D5240-46	SMR5240-46	\$17,776	N/A	Please call
X	X	Vert Fin	29S-7D5240-47	SMR5240-47	\$9,916	\$10,908	Please call
X	X	Inbd Nac LH	29S-7D5240-49	SMR5240-49	\$6,352	\$6,987	Please call
	X	Inbd Nac RH	29S-7D5240-50	SMR5240-50	\$6,605	\$7,266	Please call
	X	Outbd Nac LH	29S-7D5240-51	SMR5240-51	\$6,605	\$7,266	Please call
	X	Outbd Nac RH	29S-7D5240-52	SMR5240-52	\$6,352	\$6,987	Please call
	X	Vert Fin Tip	29S-7D5240-57	SMR5240-57	\$6,894	\$7,584	Please call

All boots black neoprene

### Embraer 110 Bandeirante

EMB-110P1, EMB-110P2	Location:	Goodrich P/N:	SMR P/N:	Std Boot List:	PSA Boot List:	Your Cost:
X	Engine Inlet	5E1683-1	SMR1683-1	\$2,365	N/A	Please call
X	Fus-Nac LH	29S-5D5158-01	SMR5158-01	\$4,110	\$4,521	Please call
X	Fus-Nac RH	29S-5D5158-02	SMR5158-02	\$4,110	\$4,521	Please call
X	Inbd Wing LH	29S-5D5158-03	SMR5158-03	\$4,608	\$5,069	Please call
X	Inbd Wing RH	29S-5D5158-04	SMR5158-04	\$4,608	\$5,069	Please call
X	Outbd Wing LH	29S-5D5158-05	SMR5158-05	\$5,138	\$5,651	Please call
X	Outbd Wing RH	29S-5D5158-06	SMR5158-06	\$5,138	\$5,651	Please call
X	Horiz Stab LH	29S-5D5158-07	SMR5158-07	\$5,625	\$6,187	Please call
X	Horiz Stab RH	29S-5D5158-08	SMR5158-08	\$5,625	\$6,187	Please call
X	Vertical Fin	29S-5D5158-09	SMR5158-09	\$4,356	\$4,792	Please call

### Embraer 120 Brasilia

120, 120RT, 120ER, 120FC, 120QC	Location:	Goodrich P/N:	SMR P/N:	Std Boot List:	PSA Boot List:	Your Cost:
X	Fus-Nac LH	29S-7D5135-25	SMR5135-25	\$4,595	\$5,055	Please call
X	Fus-Nac RH	29S-7D5135-26	SMR5135-26	\$4,595	\$5,055	Please call
X	CenterWing LH	29S-7D5135-27	SMR5135-27	\$7,027	\$7,730	Please call
X	CenterWing RH	29S-7D5135-28	SMR5135-28	\$7,027	\$7,730	Please call
X	Outbd Wing LH	29S-7D5135-29	SMR5135-29	\$7,195	\$7,915	Please call
X	Outbd Wing RH	29S-7D5135-30	SMR5135-30	\$7,195	\$7,915	Please call
X	Horiz Stab LH	29S-7D5135-31	SMR5135-31	\$5,873	\$6,460	Please call
X	Horiz Stab RH	29S-7D5135-32	SMR5135-32	\$5,873	\$6,460	Please call
X	Throat LH	29S-7D5135-35	SMR5135-35	\$4,753	N/A	Please call
X	Throat RH	29S-7D5135-36	SMR5135-36	\$4,753	N/A	Please call
X	Vertical Fin	29S-7D5135-39	SMR5135-39	\$6,851	\$7,537	Please call
X	Engine Inlet	29S-7D5135-41 (29S-7D5135-43 IS ESTANE ONLY)	SMR5135-41	\$7,151	N/A	Please call

### Embraer EMB-500

EMB-500	Location:	Goodrich P/N:	SMR P/N:	Std Boot List:	PSA Boot List:	Your Cost:
X	SILVER Horiz Stab LH De-Icer	S29S-4D5321-21	SMR5321-21SN	\$12,524	\$13,776	Please call
X	SILVER Horiz Stab RH De-Icer	S29S-4D5321-22	SMR5321-22SN	\$12,524	\$13,776	Please call
X	SILVER LH Wing De-Icer	S29S-4D5321-23	SMR5321-23SN	\$24,342	\$26,777	Please call
X	SILVER RH Wing De-Icer	S29S-4D5321-24	SMR5321-24SN	\$24,342	\$26,777	Please call
X	BLACK Horiz Stab LH De-Icer	29S-4D5321-21	SMR5321-21BN	\$11,021	\$12,123	Please call
X	BLACK Horiz Stab RH De-Icer	29S-4D5321-22	SMR5321-22BN	\$11,021	\$12,123	Please call
X	BLACK LH Wing De-Icer	29S-4D5321-23	SMR5321-23BN	\$21,421	\$23,563	Please call
X	BLACK RH Wing De-Icer	29S-4D5321-24	SMR5321-24BN	\$21,421	\$23,563	Please call

Silver boots must be installed in pairs.

**Fairchild Metro / Merlin SA-226**

SA-226-T, SA-226-AT, SA-226-TC	Location:	Goodrich P/N:	SMR P/N:	Std Boot List:	PSA Boot List:	Your Cost:
X	Nac-Tip LH	25S-5D5071-01	SMR5071-01	\$9,337	\$10,271	Please call
X	Nac-Tip RH	25S-5D5071-02	SMR5071-02	\$9,337	\$10,271	Please call
X	Horiz Stab	25S-5D5071-03	SMR5071-03	\$5,948	\$6,542	Please call

**Fairchild Metro / Merlin SA-227**

SA-227 TT, SA-227 AC/-AT	Location:	Goodrich P/N:	SMR P/N:	Std Boot List:	PSA Boot List:	Your Cost:
X	Nac-Tip LH	25S-5D5071-01	SMR5071-01	\$9,337	\$10,271	Please call
X	Nac-Tip RH	25S-5D5071-02	SMR5071-02	\$9,337	\$10,271	Please call
X	Horiz Stab	25S-5D5071-03	SMR5071-03	\$5,948	\$6,542	Please call
X	Fus-Nac LH	25S-5D5071-13	SMR5071-13	\$3,635	\$3,998	Please call
X	Fus-Nac RH	25S-5D5071-14	SMR5071-14	\$3,635	\$3,998	Please call
X	Wing Tip Ext	25S-5D5071-15	SMR5071-15	\$5,928	\$6,521	Please call

**Gulfstream G100/G150/G200**

G100	G150	G200	Location:	Goodrich P/N:	SMR P/N:	Std Boot List:	PSA Boot List:	Your Cost:
X			Horiz Stab LH	25S-7D5139-11	SMR5139-11	\$10,083	\$11,091	Please call
X			Horiz Stab RH	25S-7D5139-12	SMR5139-12	\$10,083	\$11,091	Please call
X			LH INBD Wing	25S-7D5139-13	SMR5139-13	\$9,514	\$10,466	Please call
X			RH INBD Wing	25S-7D5139-14	SMR5139-14	\$9,514	\$10,466	Please call
X	X		Slat LH	25S-7D5139-15	SMR5139-15	\$10,438	\$11,481	Please call
X	X		Slat RH	25S-7D5139-16	SMR5139-16	\$10,438	\$11,481	Please call
		X	LH INBD Wing	25S-4D5139-17	SMR5139-17	\$11,326	\$12,459	Please call
		X	RH INBD Wing	25S-4D5139-18	SMR5139-18	\$11,326	\$12,459	Please call
		X	Horiz Stab LH	25S-4D4139-21	SMR5139-21	\$10,062	\$11,068	Please call
		X	Horiz Stab RH	25S-4D5139-22	SMR5139-22	\$10,062	\$11,068	Please call
		X	Krueger Flap LH	25S-4D5139-23	SMR5139-23	\$7,542	\$8,297	Please call
		X	Krueger Flap RH	25S-4D5139-24	SMR5139-24	\$7,542	\$8,297	Please call
	X		LH INBD Wing	25S-4D5139-33	SMR5139-33	\$5,422	\$5,963	Please call
	X		RH INBD Wing	25S-4D5139-34	SMR5139-34	\$5,422	\$5,963	Please call

All boots black neoprene

**Gulfstream G150 Astra**

G150	Location:	Goodrich P/N:	SMR P/N:	Std Boot List:	PSA Boot List:	Your Cost:
X	SILVER Slat LH	S29S-4D5139-47	SMR5139-47SN	\$18,059	\$19,865	Please call
X	SILVER Slat RH	S29S-4D5139-48	SMR5139-48SN	\$18,059	\$19,865	Please call
X	SILVER Inbd LH Wing	S29S-4D5139-55	SMR5139-55SN	\$13,700	\$9,914	Please call
X	SILVER Inbd RH Wing	S29S-4D5139-56	SMR5139-56SN	\$13,700	\$9,914	Please call
X	SILVER Horiz Stab LH	S29S-4D5139-57	SMR5139-57SN	\$6,317	\$4,572	Please call
X	SILVER Horiz Stab RH	S29S-4D5139-58	SMR5139-58SN	\$6,317	\$4,572	Please call

All boots silver neoprene. Must be installed in pairs.

**Gulfstream G200 Galaxy**

G200	Location:	Goodrich P/N:	SMR P/N:	Std Boot List:	PSA Boot List:	Your Cost:
X	SILVER Slat LH	S29S-4D5139-47	SMR5139-47SN	\$18,059	\$19,865	Please call
X	SILVER Slat RH	S29S-4D5139-48	SMR5139-48SN	\$18,059	\$19,865	Please call
X	SILVER LH INBD Wing	S29S-4D5139-49	SMR5139-49SN	\$18,059	\$19,865	Please call
X	SILVER RH INBD Wing	S29S-4D5139-50	SMR5139-50SN	\$18,059	\$19,865	Please call
X	SILVER Horiz Stab LH	S29S-4D5139-51	SMR5139-51SN	\$16,883	\$18,571	Please call
X	SILVER Horiz Stab RH	S29S-4D5139-52	SMR5139-52SN	\$16,883	\$18,571	Please call
X	SILVER Krueger Flap LH	S29S-4D5139-53	SMR5139-53SN	\$10,382	\$11,420	Please call
X	SILVER Krueger Flap RH	S29S-4D5139-54	SMR5139-54SN	\$10,382	\$11,420	Please call

All boots silver neoprene. Must be installed in pairs.

**Gulfstream (Rockwell) Twin Commander**

500	500A, 500B 500S, 500U	520	560	560A	560F	Location:	Goodrich P/N:	SMR P/N:	Std Boot List:	PSA Boot List:	Your Cost:
X		X	X	X		Nac-Brk LH	23S-2015-1-1	SMR2015-1-1*	\$3,487	\$3,835	Please call
X		X	X	X		Nac-Brk RH	23S-2015-1-2	SMR2015-1-2*	\$3,487	\$3,835	Please call
		X	X	X		Brk-Tip LH	23S-2015-2-1	SMR2015-2-1	\$3,589	\$3,948	Please call
		X	X	X		Brk-Tip RH	23S-2015-2-2	SMR2015-2-2	\$3,589	\$3,948	Please call
X	X	X	X	X	X	Horiz Stab LH	23S-2015-3-1	SMR2015-3-1	\$3,680	\$4,048	Please call
X	X	X	X	X	X	Horiz Stab RH	23S-2015-3-2	SMR2015-3-2	\$3,680	\$4,048	Please call
X		X	X	X		Nac-Brk LH	23S-2015-5-1	SMR2015-5-1	\$3,314	\$3,646	Please call
		X	X	X		Brk-Tip LH	23S-2015-6-1	SMR2015-6-1	\$3,804	\$4,184	Please call
X	X		X	X	X	Vertical Fin	23S-2015-7-1	SMR2015-7-1	\$3,221	\$3,543	Please call
X	X		X			Brk-Tip LH	23S-2015-8-1	SMR2015-8-1	\$3,949	\$4,344	Please call
X	X		X			Brk-Tip LH	23S-2015-9-1	SMR2015-9-1	\$4,096	\$4,506	Please call
X	X		X			Brk-Tip RH	23S-2015-9-2	SMR2015-9-2	\$3,896	\$4,285	Please call
	X				X	Nac-Brk LH	23S-2015-12-1	SMR2015-12-1	\$3,837	\$4,220	Please call
	X				X	Nac-Brk RH	23S-2015-12-2	SMR2015-12-2	\$3,837	\$4,220	Please call
	X				X	Nac-Brk LH	23S-2015-13-1	SMR2015-13-1	\$4,402	\$4,842	Please call

\*Special order, contact Tiffin Aire, Inc. for lead time.

FAA requires Ice Shield 2 de-ice boots to be replaced in left & right pairs

**Gulfstream (Rockwell) Twin Commander**

680	680E	680F	680W, 681	720	Location:	Goodrich P/N:	SMR P/N:	Std Boot List:	PSA Boot List:	Your Cost:
X	X			X	Nac-Brk LH	23S-2015-1-1	SMR2015-1-1*	\$3,487	\$3,835	Please call
X	X			X	Nac-Brk RH	23S-2015-1-2	SMR2015-1-2*	\$3,487	\$3,835	Please call
X			X		Brk-Tip LH	23S-2015-2-1	SMR2015-2-1	\$3,589	\$3,948	Please call
X			X		Brk-Tip RH	23S-2015-2-2	SMR2015-2-2	\$3,589	\$3,948	Please call
X	X	X		X	Horiz Stab LH	23S-2015-3-1	SMR2015-3-1	\$3,680	\$4,048	Please call
X	X	X		X	Horiz Stab RH	23S-2015-3-2	SMR2015-3-2	\$3,680	\$4,048	Please call
X	X			X	Nac-Brk LH	23S-2015-5-1	SMR2015-5-1	\$3,314	\$3,646	Please call
X			X		Brk-Tip LH	23S-2015-6-1	SMR2015-6-1	\$3,804	\$4,184	Please call
X	X	X	X	X	Vertical Fin	23S-2015-7-1	SMR2015-7-1	\$3,221	\$3,543	Please call
				X	Brk-Tip LH	23S-2015-8-1	SMR2015-8-1	\$3,949	\$4,344	Please call
				X	Brk-Tip LH	23S-2015-9-1	SMR2015-9-1	\$4,096	\$4,506	Please call
				X	Brk-Tip RH	23S-2015-9-2	SMR2015-9-2	\$3,896	\$4,285	Please call
		X	X		Nac-Brk LH	23S-2015-12-1	SMR2015-12-1	\$3,837	\$4,220	Please call
		X	X		Nac-Brk RH	23S-2015-12-2	SMR2015-12-2	\$3,837	\$4,220	Please call
		X	X		Nac-Brk LH	23S-2015-13-1	SMR2015-13-1	\$4,402	\$4,842	Please call

FAA requires Ice Shield 2 de-ice boots to be replaced in left & right pairs

\*Special order, contact Tiffin Aire, Inc. for lead time.

**Gulfstream (Rockwell) Twin Commander**

680F(P)	680FL, 680FL(P)	680T, 680V	Location:	Goodrich P/N:	SMR P/N:	Std Boot List:	PSA Boot List:	Your Cost:
		X	Brk-Tip LH	23S-2015-2-1	SMR2015-2-1*	\$3,589	\$3,948	Please call
		X	Brk-Tip RH	23S-2015-2-2	SMR2015-2-2	\$3,589	\$3,948	Please call
		X	Brk-Tip LH	23S-2015-6-1	SMR2015-6-1*	\$3,804	\$4,184	Please call
X	X	X	Vertical Fin	23S-2015-7-1	SMR2015-7-1	\$3,221	\$3,543	Please call
X	X	X	Nac-Brk LH	23S-2015-12-1	SMR2015-12-1	\$3,837	\$4,220	Please call
X	X	X	Nac-Brk RH	23S-2015-12-2	SMR2015-12-2	\$3,837	\$4,220	Please call
X	X	X	Nac-Brk LH	23S-2015-13-1	SMR2015-13-1	\$4,402	\$4,842	Please call
	X		Horiz Stab LH	23S-2015-14-1	SMR2015-14-1	\$3,627	\$3,989	Please call
	X		Horiz Stab RH	23S-2015-14-2	SMR2015-14-2	\$3,627	\$3,989	Please call

FAA requires Ice Shield 2 de-ice boots to be replaced in left & right pairs

\*Check aircraft to identify correct boot needed for Brk-Tip.



**Gulfstream (Rockwell) Twin Commander**

685,690 690A,690B	690C 11600 & UP	690C 11719-11999	690D	Location:	Goodrich P/N:	SMR P/N:	Std Boot List:	PSA Boot List:	Your Cost:
X				Nac-Tip LH	25S-7D5015-01	SMR5015-01	\$4,503	\$4,953	Please call
X				Nac-Tip RH	25S-7D5015-02	SMR5015-02	\$4,503	\$4,953	Please call
X	X		X	Horiz Stab LH	25S-7D5015-03	SMR5015-03	\$3,727	\$4,100	Please call
X	X		X	Horiz Stab RH	25S-7D5015-04	SMR5015-04	\$3,727	\$4,100	Please call
X	X*			Vertical Fin	25S-7D5015-05	SMR5015-05	\$3,347	\$3,683	Please call
		X		Nac-Tip LH	25S-7D5015-07	SMR5015-07	\$3,912	\$4,303	Please call
		X		Nac-Tip RH	25S-7D5015-08	SMR5015-08	\$3,912	\$4,303	Please call
		X	X	Fus-Nac LH	25S-7D5015-13	SMR5015-13	\$2,945	\$3,238	Please call
		X	X	Fus-Nac RH	25S-7D5015-14	SMR5015-14	\$2,945	\$3,238	Please call
		X	X	Nac-Tip LH	25S-7D5015-15	SMR5015-15	\$5,490	\$6,039	Please call
		X	X	Nac-Tip RH	25S-7D5015-16	SMR5015-16	\$5,490	\$6,039	Please call
			X	Vertical Fin	25S-7D5015-21	SMR5015-21	\$2,945	\$3,238	Please call

\*690C 11719-11999: Check aircraft for appropriate selection

**Gulfstream (Rockwell) Twin Commander**

695 95000- 95086	695 95087- 95999	695A To 96014	695A 96015 & Up	695B 96017- 96999	695B 97000 & Up	Location:	Goodrich P/N:	SMR P/N:	Std Boot List:	PSA Boot List:	Your Cost:
X*	X*		X			Horiz Stab LH	25S-7D5015-03	SMR5015-03	\$3,727	\$4,100	Please call
X*	X*		X			Horiz Stab RH	25S-7D5015-04	SMR5015-04	\$3,727	\$4,100	Please call
X						Vertical Fin	25S-7D5015-05	SMR5015-05	\$3,347	\$3,683	Please call
X						Nac-Tip LH	25S-7D5015-07	SMR5015-07	\$3,912	\$4,300	Please call
X						Nac-Tip RH	25S-7D5015-08	SMR5015-08	\$3,912	\$4,300	Please call
	X	X	X	X	X	Fus-Nac LH	25S-7D5015-13	SMR5015-13	\$2,945	\$3,238	Please call
	X	X	X	X	X	Fus-Nac RH	25S-7D5015-14	SMR5015-14	\$2,945	\$3,238	Please call
	X	X	X	X	X	Nac-Tip LH	25S-7D5015-15	SMR5015-15	\$5,490	\$6,039	Please call
	X	X	X	X	X	Nac-Tip RH	25S-7D5015-16	SMR5015-16	\$5,490	\$6,039	Please call
		X	X	X		Vertical Fin	25S-7D5015-21	SMR5015-21	\$2,945	\$3,238	Please call

\*695 S/N 95000 & Up

**Israel Aircraft Industries Westwind**

1124	1124A	Location:	Goodrich P/N:	SMR P/N:	Std Boot List:	PSA Boot List:	Your Cost:
X		Wing LH	25S-7D5083-01	SMR5083-01	\$14,474	\$15,921	Please call
X		Wing RH	25S-7D5083-02	SMR5083-02	\$14,474	\$15,921	Please call
X	X	Horiz Stab LH	25S-7D5083-03	SMR5083-03	\$9,411	\$10,352	Please call
X	X	Horiz Stab RH	25S-7D5083-04	SMR5083-04	\$9,411	\$10,352	Please call
	X	Wing LH	25S-7D5083-09	SMR5083-09	\$18,057	\$19,863	Please call
	X	Wing RH	25S-7D5083-10	SMR5083-10	\$18,057	\$19,863	Please call

**Jetstream 32**

de-icing systems

Model 32	Location:	Goodrich P/N:	SMR P/N:	Std Boot List:	PSA Boot List:	Your Cost:
X	Nac-Light LH	29S-7D5255-01	SMR5255-01	\$4,453	\$4,899	Please call
X	Nac-Light RH	29S-7D5255-02	SMR5255-02	\$4,453	\$4,899	Please call
X	Light-Tip LH	29S-7D5255-03	SMR5255-03	\$8,170	\$8,987	Please call
X	Light-Tip RH	29S-7D5255-04	SMR5255-04	\$8,170	\$8,987	Please call
X	Horiz Stab	29S-7D5255-05	SMR5255-05	\$6,799	\$7,479	Please call
X	Vertical Fin	29S-7D5255-07	SMR5255-07	\$4,891	\$5,380	Please call
X	Fus-Nac LH	29S-7D5255-09	SMR5255-09	\$4,929	\$5,422	Please call
X	Fus-Nac RH	29S-7D5255-10	SMR5255-10	\$4,929	\$5,423	Please call



**Mitsubishi MU-2B**

MU-2B	Location:	Goodrich P/N:	SMR P/N:	Std Boot List:	PSA Boot List:	Your Cost:
X	Fus-Nac LH	25S-5D5048-01 23S-2090-1-1	SMR5048-01	\$4,372	\$4,808	Please call
X	Fus-Nac RH	25S-5D5048-02 23S-2090-1-2	SMR5048-02	\$4,372	\$4,808	Please call
X	Nac-Tip LH	25S-5D5048-03 23S-2090-5-1	SMR5048-03	\$5,397	\$5,936	Please call
X	Nac-Tip RH	25S-5D5048-04 23S-2090-5-2	SMR5048-04	\$5,397	\$5,936	Please call
X	Vertical Fin	25S-5D5048-07 23S-2090-4-1 23S-2090-6-1	SMR5048-07	\$4,338	\$4,771	Please call
X	Horiz Stab LH	25S-5D5048-09 23S-2090-3-1 23S-2090-7-1	SMR5048-09	\$4,660	\$5,126	Please call
X	Horiz Stab RH	25S-5D5048-10 23S-2090-3-2 23S-2090-7-2	SMR5048-10	\$4,660	\$5,126	Please call

**Pilatus PC-12**

PC-12, PC-12/45, PC-12/47, PC-12/47E	Location:	Goodrich P/N:	SMR P/N:	Std Boot List:	PSA Boot List:	Your Cost:
X	Inboard LH	27-7D5221-09	SMR5221-09	\$6,697	\$7,367	Please call
X	Inboard RH	27-7D5221-10	SMR5221-10	\$6,697	\$7,367	Please call
X	Outboard LH	27-7D5221-11	SMR5221-11	\$8,821	\$9,703	Please call
X	Outboard RH	27-7D5221-12	SMR5221-12	\$8,821	\$9,703	Please call
X	Horiz Stab LH	27S-7D5221-13	SMR5221-13	\$4,842	\$5,326	Please call
X	Horiz Stab RH	27S-7D5221-14	SMR5221-14	\$4,842	\$5,326	Please call
X	Inboard LH	27-7D5221-21	SMR5221-21	\$6,697	\$7,367	Please call
X	Inboard RH	27-7D5221-22	SMR5221-22	\$6,697	\$7,367	Please call
X	Outboard LH	27-7D5221-23	SMR5221-23	\$8,821	\$9,703	Please call
X	Outboard RH	27-7D5221-24	SMR5221-24	\$8,821	\$9,703	Please call
X	Horiz Stab LH	27-7D5221-25	SMR5221-25	\$4,842	\$5,326	Please call
X	Horiz Stab RH	27-7D5221-26	SMR5221-26	\$4,842	\$5,326	Please call
	Stall Strip	P3D2487	SMR3D2487	\$342	\$381	Please call

**Piper PA-23 Apache/Aztec**

PA-23-235	PA-23-250	Location:	Goodrich P/N:	SMR P/N:	Std Boot List:	PSA Boot List:	Your Cost:
X	X	Wing LH	23S-2039-1-1	SMR2039-1-1	\$7,628	N/A	Please call
X	X	Wing RH	23S-2039-1-2	SMR2039-1-2	\$7,062	N/A	Please call
X	X	Horiz Stab LH	23S-2039-2-1	SMR2039-2-1	\$4,268	\$4,695	Please call
X	X	Horiz Stab RH	23S-2039-2-2	SMR2039-2-2	\$4,268	\$4,695	Please call
X	X	Vertical Fin	23S-2039-3-1	SMR2039-3-1	\$4,292	\$4,721	Please call

**Excludes S/N: 27-4773, 4817, 27-7304964, 4994, 4996, 5000, 5004, 5006, 5007, 5009, 5010, 5013, 5016, 5017, 5024, 5025**

**FAA requires Ice Shield 2 de-ice boots to be replaced in left & right pairs. Applicable to aircraft with field installed de-icing system per kit #760-731.**

**Piper PA-23-250 Apache/Aztec**

PA-23-250, PA-23-E250	Location:	Goodrich P/N:	SMR P/N:	Std Boot List:	PSA Boot List:	Your Cost:
X	Wing LH	25S-7D5063-01	SMR5063-01	\$6,708	N/A	Please call
X	Wing RH	25S-7D5063-02	SMR5063-02	\$6,708	N/A	Please call
X	Horiz Stab LH	25S-7D5063-03	SMR5063-03	\$3,415	\$3,757	Please call
X	Horiz Stab RH	25S-7D5063-04	SMR5063-04	\$3,415	\$3,757	Please call
X	Vertical Fin	25S-7D5063-05	SMR5063-05	\$3,397	\$3,736	Please call
X	Horiz Stab LH	25S-7D5063-09	SMR5063-09	\$3,701	\$4,071	Please call
X	Horiz Stab RH	25S-7D5063-10	SMR5063-10	\$3,701	\$4,071	Please call

**Piper PA-31 Navajo/Chieftain**

PA-31 PA-31-300	PA-31-325 5-7512033	PA-31P 3-7530027	PA-31T 7400002-7400033, 36, 38	Location:	Goodrich P/N:	SMR P/N:	Std Boot List:	PSA Boot List:	Your Cost:
X	X	X	X	Horiz Stab	23S-2100-3-1	SMR2100-3-1	\$4,269	\$4,696	Please call
X	X	X	X	Vertical Fin	23S-2100-4-1	SMR2100-4-1	\$3,739	\$4,113	Please call
X	X	X	X	Nac-Tip LH	23S-2100-5-1	SMR2100-5-1	\$7,754	\$8,529	Please call
X	X	X		Nac-Tip RH	23S-2100-5-2	SMR2100-5-2	\$8,827	\$9,709	Please call
			X	Nac-Tip RH	23S-2100-6-2	SMR2100-6-2	\$8,693	\$9,562	Please call
			X	Engine Inlet	5E1461-1	SMR1461-1	\$2,994	N/A	Please call

FAA requires Ice Shield 2 de-ice boots to be replaced in left & right pairs

**Piper PA-31 Navajo/Chieftain**

PA-31-310	PA-31-325 7512033 & Up	PA-31-350	PA-31P	Location:	Goodrich P/N:	SMR P/N:	Std Boot List:	PSA Boot List:	Your Cost:
X	X	X	X	Nac-Tip LH	25S-7D5026-01	SMR5026-01	\$8,903	\$9,792	Please call
X	X	X	X	Nac-Tip RH	25S-7D5026-02	SMR5026-02	\$10,156	\$11,171	Please call
X	X	X	X	Horiz Stab LH	25S-7D5026-03	SMR5026-03	\$4,880	\$5,368	Please call
X	X	X	X	Horiz Stab RH	25S-7D5026-04	SMR5026-04	\$4,880	\$5,368	Please call
X	X	X	X	Vertical Fin	25S-7D5026-05	SMR5026-05	\$4,188	\$4,607	Please call
X	X	X		Fus-Nac LH	25S-7D5026-07	SMR5026-07	\$3,329	\$3,662	Please call
X	X	X		Fus-Nac RH	25S-7D5026-08	SMR5026-08	\$3,329	\$3,662	Please call

**Piper PA-31 Navajo/Chieftain**

PA-31P-350	PA-31T 7520033-7520035 7520038 & Up	PA-31 T1 T2	PA-31 T3	Location:	Goodrich P/N:	SMR P/N:	Std Boot List:	PSA Boot List:	Your Cost:
	X	X		Engine Inlet	5E1461-1	SMR1416-1	\$2,994	N/A	Please call
		X***		Engine Inlet	5E1990-1	SMR1990-1	\$4,467	N/A	Please call
	X	X	X	Nac-Tip LH	25S-7D5026-01	SMR5026-01	\$8,903	\$9,792	Please call
	X*	X*	X	Nac-Tip RH	25S-7D5026-02	SMR5026-02	\$10,156	\$11,171	Please call
X	X	X	X	Horiz Stab LH	25S-7D5026-03	SMR5026-03	\$4,880	\$5,368	Please call
X	X	X	X	Horiz Stab RH	25S-7D5026-04	SMR5026-04	\$4,880	\$5,368	Please call
X	X	X	X	Vertical Fin	25S-7D5026-05	SMR5026-05	\$4,188	\$4,607	Please call
X**	X**	X**	X**	Nac-Tip RH	25S-7D5026-06	SMR5026-06	\$8,919	\$9,811	Please call
X			X	Fus-Nac LH	25S-7D5026-07	SMR5026-07	\$3,329	\$3,662	Please call
X			X	Fus-Nac RH	25S-7D5026-08	SMR5026-08	\$3,329	\$3,662	Please call
X				Nac-Tip LH	25S-7D5026-11	SMR5026-11	\$4,791	\$5,270	Please call
X				Nac-Tip RH	25S-7D5026-12	SMR5026-12	\$4,791	\$5,270	Please call

\*SMR5026-02: Stall speed indicator cut-out, \*\*SMR5026-06: No stall speed indicator

**Piper PA-32R Saratoga**

301-T	PA-32R-301T 3257001 and Up	PA-32-301XTC 3255001 and Up	Location:	Goodrich P/N:	SMR P/N:	Std Boot List:	PSA Boot List:	Your Cost:
X			Wing LH	25S-5D5123-01	SMR5123-01*	\$5,470	\$6,016	Please call
X			Wing RH	25S-5D5123-02	SMR5123-02	\$5,470	\$6,016	Please call
X			Horiz Stab LH	25S-5D5123-03	SMR5123-03	\$2,608	\$2,869	Please call
X			Horiz Stab RH	25S-5D5123-04	SMR5123-04	\$2,608	\$2,869	Please call
X			Vertical Fin	25S-5D5123-05	SMR5123-05	\$2,631	\$2,894	Please call
	X	X	Inboard LH	N/A	SMR9065-01	\$3,780	N/A	Please call
	X	X	Inboard RH	N/A	SMR9065-02	\$3,780	N/A	Please call
	X	X	Center LH	N/A	SMR9065-03	\$4,808	N/A	Please call
	X	X	Center RH	N/A	SMR9065-04	\$4,808	N/A	Please call
	X	X	Vertical Fin	N/A	SMR9065-05	\$4,159	N/A	Please call
	X	X	Horiz Stab LH	N/A	SMR9065-06	\$4,159	N/A	Please call
	X	X	Horiz Stab RH	N/A	SMR9065-07	\$3,528	N/A	Please call
	X	X	Outboard LH	N/A	SMR9065-33	\$6,084	N/A	Please call
	X	X	Outboard RH	N/A	SMR9065-34	\$6,084	N/A	Please call

\*Special order, contact Tiffin Aire, Inc for lead time.

**Piper PA-34 Seneca**

PA-34-200, 200T, PA-34-220T	Location:	Goodrich P/N:	SMR P/N:	Std Boot List:	PSA Boot List:	Your Cost:
X	Wing LH	25S-7D5036-01	SMR5036-01	\$5,636	\$6,200	Please call
X	Wing RH	25S-7D5036-02	SMR5036-02	\$5,636	\$6,200	Please call
X	Horiz Stab LH	25S-7D5036-03	SMR5036-03	\$4,300	\$4,730	Please call
X	Horiz Stab RH	25S-7D5036-04	SMR5036-04	\$4,300	\$4,730	Please call
X	Vertical Fin	25S-7D5036-05	SMR5036-05	\$2,962	\$3,259	Please call
X	Wing LH	25S-7D5036-07	SMR5036-07	\$5,636	\$6,200	Please call
X	Wing RH	25S-7D5036-08	SMR5036-08	\$5,636	\$6,200	Please call

**Piper PA-42 Cheyenne**

PA-42, PA-42-720, PA-42-1000				Location:	Goodrich P/N:	SMR P/N:	Std Boot List:	PSA Boot List:	Your Cost:
				Fus-Nac LH	25S-7D5095-09	SMR5095-09	\$7,333	\$8,065	Please call
				Fus-Nac RH	25S-7D5095-10	SMR5095-10	\$7,333	\$8,065	Please call
				Nac-Tip LH	25S-7D5095-11	SMR5095-11	\$10,833	\$11,917	Please call
				Horiz Stab LH	25S-7D5095-13	SMR5095-13	\$6,800	\$7,480	Please call
				Horiz Stab RH	25S-7D5095-14	SMR5095-14	\$6,800	\$7,480	Please call
				Vertical Fin	25S-7D5095-15	SMR5095-15	\$5,479	\$6,027	Please call
				Nac-Tip RH	25S-7D5095-18	SMR5095-18	\$10,833	\$11,917	Please call

**Piper PA-46 Malibu/Mirage/Matrix/Meridian**

PA-46-310P	PA-46-350P	PA-46R-350T	PA-46-500TP	Location:	Goodrich P/N:	SMR P/N:	Std Boot List:	PSA Boot List:	Your Cost:
X	X	X		Horiz Stab LH	27S-7D5164-05	SMR5164-05	\$4,102	\$4,512	Please call
X	X	X		Horiz Stab RH	27S-7D5164-06	SMR5164-06	\$4,102	\$4,512	Please call
X	X	X	X	Vertical Fin	27S-7D5164-07	SMR5164-07	\$3,844	\$4,229	Please call
X				Wing LH	27-7D5164-09	SMR5164-09	\$11,430	\$12,572	Please call
	X	X		Wing LH Cut Out	27-7D5164-11	SMR5164-11	\$11,430	\$12,572	Please call
X*	X*	X*		Wing RH	27-7D5164-12	SMR5164-12	\$11,430	\$12,572	Please call
			X	Horiz Stab LH	27-7D5294-05	SMR5294-05	\$4,168	\$4,586	Please call
			X	Horiz Stab RH	27-7D5294-20	SMR5294-20	\$4,168	\$4,586	Please call
			X	Inbd Wing LH	27-7D5294-21	SMR5294-21	\$4,911	\$5,402	Please call
			X	Inbd Wing RH	27-7D5294-22	SMR5294-22	\$4,911	\$5,402	Please call
			X	Outbd Wing LH	27-7D5294-23	SMR5294-23	\$6,774	\$7,450	Please call
			X	Outbd Wing RH	27-7D5294-24	SMR5294-24	\$6,774	\$7,450	Please call

\*SMR5164-12: For aircraft without internal radar

**Piper M600**

M600	Location:	Goodrich P/N:	SMR P/N:	Std Boot List:	PSA Boot List:	Your Cost:
X	Inbd Wing RH	27-4D5350-02	SMR5350-02	\$5,416	\$5,958	Please call
X	Wing LH	27-4D5350-03	SMR5350-03	\$9,932	\$10,926	Please call
X	Outbd Wing RH	27-4D5350-04	SMR5350-04	\$4,154	\$4,570	Please call
X	Horiz Stab LH	27-4D5350-05	SMR5350-05	\$3,589	\$3,948	Please call
X	Horiz Stab RH	27-4D5350-06	SMR5350-06	\$3,589	\$3,948	Please call
X	Vert Fin	27S-7D5164-07	SMR5164-07	\$3,844	\$4,229	Please call

**Piper PA600 Aerostar**

PA600	PA600 161-925	PA601 1-341	PA601 161-925	PA601 926 & Up	Location:	Goodrich P/N:	SMR P/N:	Std Boot List:	PSA Boot List:	Your Cost:
X		X			Wing LH	25S-7D5066-01 23S-2133-1-1	SMR5066-01	\$4,583	\$5,042	Please call
X		X			Wing RH	25S-7D5066-02 23S-2133-1-2	SMR5066-02	\$4,583	\$5,042	Please call
X		X	X	X	Horiz Stab	25S-7D5066-03 23S-2133-2-1	SMR5066-03	\$3,661	\$4,027	Please call
X		X	X	X	Vertical Fin	25S-7D5066-04 23S-2133-3-1	SMR5066-04	\$2,767	\$3,043	Please call
		X	X	X	Wing LH	25S-7D5066-05	SMR5066-05	\$5,246	\$5,770	Please call
		X	X	X	Wing RH	25S-7D5066-06	SMR5066-06	\$5,246	\$5,770	Please call
	X		X		Fus-Nac	25S-7D5066-11	SMR5066-11	\$3,382	\$3,721	Please call

**Piper PA600, PA700 Aerostar**

PA601P 1-156	PA601P 157-212	PA601P 213 & Up	PA602P	PA700P	Location:	Goodrich P/N:	SMR P/N:	Std Boot List:	PSA Boot List:	Your Cost:
X	X				Wing LH	25S-7D5066-01 23S-2133-1-1	SMR5066-01	\$4,583	\$5,042	Please call
X	X				Wing RH	25S-7D5066-02 23S-2133-1-2	SMR5066-02	\$4,583	\$5,042	Please call
X	X	X	X	X	Horiz Stab LH/RH	25S-7D5066-03 23S-2133-2-1	SMR5066-03	\$3,661	\$4,027	Please call
X	X	X	X	X	Vertical Fin	25S-7D5066-04 23S-2133-3-1	SMR5066-04	\$2,767	\$3,043	Please call
	X	X	X	X	Wing LH	25S-7D5066-05	SMR5066-05	\$5,246	\$5,770	Please call
	X	X	X		Wing RH	25S-7D5066-06	SMR5066-06	\$5,246	\$5,770	Please call
		X	X	X	Fus-Nac LH/RH	25S-7D5066-11	SMR5066-11	\$3,382	\$3,721	Please call
				X*	Nac-Tip RH	25S-7D5066-14	SMR5066-14	\$6,203	\$6,823	Please call

\*S/N 1027 & Up

**Piper PA-30, PA-39 Twin Comanche**

PA-30, PA-39*	Location:	Goodrich P/N:	SMR P/N:	Std Boot List:	PSA Boot List:	Your Cost:
X	Fus-Nac LH	23S-2085-1-1	SMR2085-1-1	\$8,953	N/A	Please call
X	Fus-Nac RH	23S-2085-1-2	SMR2085-1-2	\$8,953	N/A	Please call
X	Horiz Stab LH/RH	23S-2085-2-1	SMR2085-2-1	\$3,004	N/A	Please call
X	Vertical Fin	23S-2085-3-1	SMR2085-3-1	\$2,965	N/A	Please call

FAA requires Ice Shield 2 de-ice boots to be replaced in left & right pairs (replacement option for Goodrich tube-type de-icers).

\*Reference STC: SA1337SW

**SAAB 340A, 340B**

340A	340B	Location:	Goodrich P/N:	SMR P/N:	Std Boot List:	PSA Boot List:	Your Cost:
X	X	Fus-Nac LH	29S-7D5141-01	SMR5141-01	\$5,562	\$6,118	Please call
X	X	Fus-Nac RH	29S-7D5141-02	SMR5141-02	\$5,562	\$6,118	Please call
X	X	Nac-Light LH	29S-7D5141-03	SMR5141-03	\$7,025	\$7,728	Please call
X	X	Nac-Fuel Door RH	29S-7D5141-04	SMR5141-04	\$6,040	\$6,645	Please call
X	X	Above Fuel Door RH	29S-7D5141-06	SMR5141-06	\$3,391	\$3,731	Please call
X	X	Light-Splice LH	29S-7D5141-07	SMR5141-07	\$4,793	\$5,271	Please call
X	X	Light-Splice RH	29S-7D5141-08	SMR5141-08	\$4,793	\$5,271	Please call
X	X	Splice-Tip LH	29S-7D5141-09	SMR5141-09	\$7,957	\$8,753	Please call
X	X	Splice-Tip RH	29S-7D5141-10	SMR5141-10	\$7,957	\$8,753	Please call
X	X	Vertical Fin	29S-7D5141-13	SMR5141-13	\$6,555	\$7,210	Please call
X	X	Wing Tip EXT LH	29S-7D5141-29	SMR5141-29	\$4,886	\$5,374	Please call
X	X	Wing Tip EXT RH	29S-7D5141-30	SMR5141-30	\$4,886	\$5,374	Please call
X		Horiz Stab LH	9303048-311	SMR5141-311	\$10,663	\$11,729	Please call
X		Horiz Stab RH	9303048-312	SMR5141-312	\$10,663	\$11,729	Please call
	X	Horiz Stab LH	9303048-313	SMR5141-313	\$10,663	\$11,729	Please call
	X	Horiz Stab RH	9309048-314	SMR5141-314	\$10,663	\$11,729	Please call

**SAAB 2000**

SAAB 2000	Location:	Goodrich P/N:	SMR P/N:	Std Boot List:	PSA Boot List:	Your Cost:
X	LH Inner Wing De-Icer	35-7D5242-01	SMR5242-01	\$12,901	\$14,191	Please call
X	RH Inner Wing De-Icer	35-7D5242-02	SMR5242-02	\$12,901	\$14,191	Please call
X	LH Nac-Brk De-Icer	35-7D5242-03	SMR5242-03	\$12,708	\$13,979	Please call
X	RH Nac-Brk De-Icer	35-7D5242-04	SMR5242-04	\$13,723	\$15,095	Please call
X	LH Brk-Light De-Icer	35-7D5242-07	SMR5242-07	\$9,219	\$10,141	Please call
X	RH Brk-Light De-Icer	35-7D5242-08	SMR5242-08	\$9,219	\$10,141	Please call
X	LH Light-Tip De-Icer	35-7D5242-09	SMR5242-09	\$15,272	\$16,799	Please call
X	RH Light-Tip De-Icer	35-7D5242-10	SMR5242-10	\$15,272	\$16,799	Please call
X	Vert Fin De-Icer	35-7D5242-13	SMR5242-13	\$11,294	\$12,423	Please call
X	Horiz Stab LH De-Icer	35-7D5242-21	SMR5242-21	\$18,343	\$20,177	Please call
X	Horiz Stab RH De-Icer	35-7D5242-22	SMR5242-22	\$18,343	\$20,177	Please call

**Short Brothers**

SD3-60	Location:	Goodrich P/N:	SMR P/N:	Std Boot List:	PSA Boot List:	Your Cost:
X	Horiz Stab LH	29S-5D5144-05	SMR5144-05	\$8,045	\$8,850	Please call
X	Horiz Stab RH	29S-5D5144-06	SMR5144-06	\$8,045	\$8,850	Please call
X	Vertical Fin	29S-5D5144-07	SMR5144-07	\$6,196	\$6,816	Please call
X	Inbd Wing LH	29S-5D5144-09	SMR5144-09	\$6,631	\$7,294	Please call
X	Inbd Wing RH	29S-5D5144-10	SMR5144-10	\$10,741	\$11,816	Please call
X	Outbd Wing RH	29S-5D5144-11	SMR5144-11	\$10,741	\$11,816	Please call
X	Outbd Wing RH	29S-5D5144-12	SMR5144-12	\$8,280	\$9,108	Please call

**Viking (DeHavilland) DHC-6 Twin Otter**

DHC6 (All), DHC6-100, DHC6-200, DHC6-300	Location:	Goodrich P/N:	SMR P/N:	Std Boot List:	PSA Boot List:	Your Cost:
X	Engine Inlet	5E1346	SMR1346	\$2,276	N/A	Please call
X	Wing LH	23S-2099-1-1	SMR2099-1-1	\$8,042	\$8,847	Please call
X	Wing RH	23S-2099-1-2	SMR2099-1-2	\$8,042	\$8,847	Please call
X	Horiz Stab LH	23S-2099-50-1	SMR2099-50-1	\$5,183	\$5,701	Please call
X	Horiz Stab RH	23S-2099-50-2	SMR2099-50-2	\$5,183	\$5,701	Please call

FAA requires Ice Shield 2 de-ice boots to be replaced in left & right pairs (replacement option for Goodrich tube-type de-icers)



**Vulcanair P68 Partenavia**

P68 Victor	P68B Victor	P68C	P68R Victor	P68C-TC	Location:	Goodrich P/N:	SMR P/N:	Std Boot List:	PSA Boot List:	Your Cost:
X	X	X	X	X	Nac-Light LH	25S-5D5039-01	SMR5039-01	\$4,069	N/A	Please call
X	X	*X	**X	***X	Light-TipWing LH	25S-5D5039-03	SMR5039-03	\$5,303	N/A	Please call
X	X	*X	**X		Nac-TipWing RH	25S-5D5039-04	SMR5039-04	\$7,481	N/A	Please call
X	X	X	X	X	Horiz Stab LH/RH	25S-5D5039-05	SMR5039-05	\$4,069	N/A	Please call
X	X	X	X	X	Vertical Fin	25S-5D5039-07	SMR5039-07	\$5,421	N/A	Please call
				***X	Nac-TipWing RH	25S-5D5039-08	SMR5039-08	\$7,813	N/A	Please call
		*****X	***X	*****X	Light-TipWing LH	25S-5D5039-09	SMR5039-09	\$6,597	N/A	Please call
		*****X	***X		Nac-TipWing RH	25S-5D5039-10	SMR5039-10	\$3,049	N/A	Please call
				*****X	Nac-TipWing RH	25S-5D5039-12	SMR5039-12	\$3,049	N/A	Please call

**\*Up to S/N 250, excluded S/N 243, \*\*Only S/N 40, \*\*\*From S/N 430, \*\*\*\*Up to S/N 312, \*\*\*\*\*From S/N 313, \*\*\*\*\*From S/N 251 plus S/N 243**

**Vulcanair P68 Partenavia**

P68 Observer	P68 Observer 2	P68TC Observer	AP68TP 300 Spartacus	AP68TP 600 Viator	Location:	Goodrich P/N:	SMR P/N:	Std Boot List:	PSA Boot List:	Your Cost:
X	X	X			Nac-Light LH	25S-5D5039-01	SMR5039-01	\$4,069	N/A	Please call
*X					Light-Tip Wing LH	25S-5D5039-03	SMR5039-03	\$5,303	N/A	Please call
*X					Nac-Tip Wing RH	25S-5D5039-04	SMR5039-04	\$7,481	N/A	Please call
X	X	X			Horiz Stab LH/RH	25S-5D5039-05	SMR5039-05	\$4,069	N/A	Please call
X	X	X			Vertical Fin	25S-5D5039-07	SMR5039-07	\$5,421	N/A	Please call
**X	X	X			Light-Tip Wing LH	25S-5D5039-09	SMR5039-09	\$6,597	N/A	Please call
**X	X				Nac-Tip Wing RH	25S-5D5039-10	SMR5039-10	\$3,049	N/A	Please call
		X			Nac-Tip Wing RH	25S-5D5039-12	SMR5039-12	\$3,049	N/A	Please call
			X	X	Outbd Wing LH	25S-5D5181-01	SMR5181-01	\$3,785	N/A	Please call
			X	X	Outbd Wing RH	25S-5D5181-02	SMR5181-02	\$3,785	N/A	Please call
			X	X	Horiz Stab LH	25S-5D5181-03	SMR5181-03	\$3,403	N/A	Please call
			X	X	Horiz Stab RH	25S-5D5181-04	SMR5181-04	\$3,403	N/A	Please call
			X	***X	Vertical Fin	25S-5D5181-05	SMR5181-05	\$2,547	N/A	Please call
			X	X	Inbd Wing LH	25S-5D5181-07	SMR5181-07	\$2,660	N/A	Please call
			X	X	Inbd Wing RH	25S-5D5181-08	SMR5181-08	\$2,660	N/A	Please call
				***X	Vertical Fin	25S-5D5181-09	SMR5181-09	\$2,228	N/A	Please call

**\*Up to S/N 250, excluded S/N 243, \*\*From S/N 251 plus S/N 243, \*\*\*Only S/N 9001 and 9002, \*\*\*\*From S/N 9003**

**PROPELLER DE-ICERS**

SMR	Hartzell	Goodrich	Safeway	Rapco	McCauley	Various	Description	List:	Your Cost:
SMR102643	102643	N/A	N/A	N/A	N/A	N/A	Etched Foil – QDS Connector	\$566	Please call
SMR102657	102657	N/A	N/A	N/A	N/A	N/A	Etched Foil – Integral Lead	\$580	Please call
SMR102746	102746	N/A	N/A	N/A	N/A	N/A	Etched Foil – QDS Connector	\$574	Please call
SMR102855	102855	N/A	N/A	N/A	N/A	102855	Etched Foil	\$537	Please call
SMR103503	103503	N/A	N/A	N/A	N/A	N/A	Etched Foil – QDS Connector	\$563	Please call
SMR103771	103771	N/A	N/A	N/A	N/A	N/A	Etched Foil – Wire Leads	\$636	Please call
SMR103880	103880	N/A	N/A	N/A	N/A	N/A	Etched Foil – QDS Connector	\$667	Please call
SMR104112	104112	N/A	N/A	N/A	N/A	N/A	Etched Foil – QDS Connector	\$566	Please call
SMR104286	104286	N/A	N/A	N/A	N/A	N/A	Etched Foil – QDS Connector	\$562	Please call
SMR104729	104729	N/A	N/A	N/A	N/A	N/A	Etched Foil – QDS Connector	\$566	Please call
SMR106453	106453	N/A	N/A	N/A	N/A	N/A	Etched Foil – Wire Leads	\$636	Please call
SMR1188-1	N/A	4E1188-1	N/A	N/A	N/A	N/A	Wire Element – Integral Lead	\$425	Please call
SMR1188-2	4H1188-2	4E1188-2	N/A	N/A	N/A	N/A	Wire Element – Integral Lead	\$465	Please call
SMR1188-3	4H1188-3	4E1188-3	6848, 6959	RA1288-3	N/A	N/A	Wire Element – Integral Lead	\$463	Please call
SMR1188-4	4H1188-4	4E1188-4	6904	RA1288-4	N/A	N/A	Wire Element – Integral Lead	\$463	Please call
SMR1188-5	4H1188-5	4E1188-5	5735 6975(QDS)	RA1288-5	N/A	N/A	Wire Element – Integral Lead	\$475	Please call
SMR1188-6	4H1188-6	4E1188-6	6860	RA1288-6	N/A	N/A	Wire Element – Integral Lead	\$475	Please call
SMR1188-7	4H1188-7	4E1188-7	6905	RA1288-7	N/A	N/A	Wire Element – Wire Leads	\$463	Please call
SMR1214-1	4H1214-1	4E1214-1	6980	N/A	N/A	N/A	Wire Element – Integral Lead	\$425	Please call
SMR1214-2	4H1214-2	4E1214-2	6981	RA1314-2	N/A	N/A	Wire Element – Integral Lead	\$475	Please call
SMR1214-3	4H1214-3	4E1214-3	6982	RA1314-3	N/A	N/A	Wire Element – Integral Lead	\$477	Please call
SMR1214-4	4H1214-4	4E1214-4	N/A	N/A	N/A	N/A	Wire Element – Integral Lead	\$425	Please call
SMR1214-7	441214-7	4E1214-7	6983	N/A	N/A	N/A	Wire Element – Wire Leads	\$423	Please call
SMR1214-10	4H1214-10	4E1214-10	N/A	N/A	N/A	N/A	Wire Element – QDS Connector	\$475	Please call
SMR1601-3	4H1601-3	4E1601-3	6888	RA1701-3	N/A	N/A	Wire Element – Integral Lead	\$475	Please call
SMR1601-4	4H1601-4	4E1601-4	N/A	N/A	N/A	N/A	Wire Element – Integral Lead	\$442	Please call
SMR1601-5	4H1601-5	4E1601-5	6908	N/A	N/A	N/A	Wire Element – Integral lead	\$464	Please call
SMR1601-7	4H1601-7	4E1601-7	6870	RA1701-7	N/A	N/A	Wire Element – Wire Leads	\$464	Please call
SMR1601-10	4H1601-10	4E1601-10	6906	N/A	N/A	N/A	Wire Element – QDS Connector	\$473	Please call
SMR1601-14	4H1601-14	4E1601-14	N/A	N/A	N/A	N/A	Wire Element – Integral Lead	\$475	Please call
SMR1895-2	4H1895-2	4E1895-2	6985	RA1995-2	N/A	N/A	Wire Element – Integral Lead	\$463	Please call



SMR1895-7	4H1895-7	4E1895-7	6986	N/A	N/A	N/A	Wire Element – Wire Leads	\$475	Please call
SMR1895-10	4H1895-10	4E1895-10	N/A	N/A	N/A	N/A	Wire Element – QDS Connector	\$475	Please call
SMR1956-4	103351	4E1956-4	5855BSW 6615SW	RA2056-4	B-40183-04	C165013-0601	Wire Element – Integral Lead	\$345	Please call
SMR2152-2	N/A	4E2152-2	6936SW	RA2252-2	B-40183-05	N/A	Wire Element – Wire Leads	\$433	Please call
SMR2152-4	103359	4E2152-4	6935SW	RA2252-4	B-40183-03 (-06)	N/A	Wire Element – Wire Leads	\$345	Please call
SMR2200-2	4H2200-2	4E2200-2	N/A	N/A	N/A	N/A	Etched Foil – Integral Lead	\$540	Please call
SMR2200-3	4H2200-3	4E2200-3	N/A	N/A	N/A	N/A	Etched Foil – Integral Lead	\$540	Please call
SMR2200-4	4H2200-4	4E2200-4	6881SW	N/A	N/A	N/A	Etched Foil – Integral Lead	\$551	Please call
SMR2200-10	4H2200-10 104285	4E2200-10	6900	N/A	N/A	N/A	Etched Foil – QDS Connector	\$516	Please call
SMR2200-21	4H2200-21	4E2200-21	N/A	N/A	N/A	N/A	Etched Foil – QDS Connector	\$524	Please call
SMR2263	N/A	N/A	N/A	N/A	N/A	N/A	Etched Foil – Integral Lead	\$549	Please call
SMR2271-10	4H2271-10 104284	4E2271-10	6901	N/A	N/A	N/A	Etched Foil – QDS Connector	\$510	Please call
SMR2271-12	4H2271-12	4E2271-12	N/A	N/A	N/A	N/A	Etched foil – QDS Connector	\$531	Please call
SMR2271-13	N/A	4E2271-13	N/A	N/A	N/A	N/A	Etched Foil	\$507	Please call
SMR2271-14	4H2271-14	4E2271-14	N/A	N/A	N/A	N/A	Etched Foil – QDS Connector	\$574	Please call
SMR2271-15	4H2271-15	4E2271-15	N/A	N/A	N/A	N/A	Etched Foil – QDS Connector	\$574	Please call
SMR2292-2	N/A	4E2292-2	N/A	N/A	N/A	N/A	Etched Foil – Integral Lead	\$507	Please call
SMR2292-3	N/A	4E2292-3	N/A	N/A	N/A	N/A	Etched Foil – Integral Lead	\$507	Please call
SMR2292-10	4H2292-10 104283	4E2292-10	6988	N/A	N/A	N/A	Etched Foil – QDS Connector	\$524	Please call
SMR2303-10	4H2303-10 104282	4E2303-10	6989	N/A	N/A	N/A	Etched Foil – QDS Connector	\$537	Please call
SMR2336-12	4H2336-12	4E2336-12	6892	N/A	N/A	N/A	Etched Foil – QDS Connector	\$548	Please call
SMR2351-3	4H2351-3 104281	4E2351-3	N/A	N/A	N/A	N/A	Etched Foil – Integral Lead	\$548	Please call
SMR2560-10	4H2560-10	4E2560-10	6893	N/A	N/A	N/A	Etched Foil – QDS Connector	\$558	Please call
SMR2560-12	4H2560-12	4E2560-12	6894SW	N/A	B-40245-54	N/A	Etched Foil – QDS Connector	\$551	Please call
SMR2575-7	4H2575-7	4E2575-7	N/A	N/A	N/A	N/A	Etched Foil – Wire Leads	\$558	Please call
SMR2575-10	4H2575-10	4E2575-10	N/A	N/A	N/A	N/A	Etched Foil – QDS Connector	\$558	Please call
SMR2595-7	4H2595-7	4E2595-7	6880	N/A	N/A	N/A	Etched Foil – Wire Leads	\$535	Please call
SMR2595-10	4H2595-10	4E2595-10	N/A	N/A	N/A	N/A	Etched Foil – QDS Connector	\$574	Please call
SMR2598-10	4H2598-10	4E2598-10	6984	N/A	N/A	N/A	Etched Foil – QDS Connector	\$675	Please call
SMR2702	103356	4E2702	6592SW	RA2948	B-40183-19 (-01)	N/A	Wire Element – Integral Lead	\$448	Please call
SMR2715-1	103352	4E2715-1	6199SW	RA2815-1	N/A	C165013-0701	Wire Element – Integral Lead	\$438	Please call
SMR2715-2	4H2715-2	4E2715-2	6623SW	N/A	N/A	C165013-0705	Wire Element – Integral Lead	\$438	Please call
SMR2716	N/A	4E2716	6205SW	RA2252-2	B-40183-02	6205	Wire Element – Integral Lead	\$545	Please call
SMR2762-10	N/A	4E2762-10	N/A	N/A	N/A	N/A	QDS Connector	\$611	Please call
SMR2822	103353	4E2822	6717SW	N/A	B-40183-07	N/A	Wire Element – Wire Leads	\$526	Please call
SMR2839-1	4H2839-1	4E2839-1	N/A	N/A	N/A	N/A	Etched Foil – Wire Leads	\$853	Please call
SMR3017-1	4H3017-1	4E3017-1	N/A	N/A	N/A	N/A	Prop De-Icer	\$810	Please call
SMR3029-1	N/A	4E3029-1	N/A	N/A	N/A	N/A	Etched Element	\$754	Please call
SMR3035-10	4H3035-10	4E3035-10	N/A	N/A	N/A	N/A	Etched Foil – QDS Connector	\$600	Please call
SMR3048-10	4H3048-10	4E3048-10	N/A	N/A	N/A	N/A	Etched Foil – QDS Connector	\$588	Please call
SMR3051-10	4H3051-10	4E3051-10	N/A	N/A	N/A	N/A	Etched Foil	\$521	Please call
SMR3101-1	4H3101-1	4E3101-1	N/A	N/A	N/A	N/A	Etched Foil – QDS Connector	\$511	Please call
SMR3101-7	4H3101-7	4E3101-7	N/A	N/A	N/A	N/A	Etched Foil – Wire Leads	\$511	Please call
SMR3400-1	4H3400-1	4E3400-1	N/A	N/A	N/A	N/A	Prop De-Icer	\$786	Please call
SMR3462-1	4H3462-1	N/A	N/A	N/A	N/A	4H3462-1	Wire Element	\$474	Please call
SMR3542-2	N/A	4E3542-2	N/A	N/A	N/A	N/A	Wire Element	\$676	Please call
SMR3545-2	N/A	4E3545-2	N/A	N/A	N/A	N/A	Wire Element	\$702	Please call
SMR37572	37572	37572	N/A	N/A	N/A	N/A	Alcohol Feed Shoe	\$124	Please call
SMR40183-16	N/A	N/A	N/A	N/A	B-40183-16	N/A	Wire Element – Wire Leads	\$516	Please call
SMR40183-17	N/A	N/A	N/A	N/A	B-40183-17	N/A	Wire Element – Wire Leads	\$516	Please call
SMR4018-18	N/A	N/A	N/A	N/A	B-40183-18	N/A	Wire Element	\$414	Please call
SR40183-20	N/A	N/A	N/A	N/A	B-40183-20	N/A	Wire Element	\$345	Please call
SMR40183-55	N/A	N/A	N/A	N/A	B-40183-55	N/A	Wire Element – Wire Leads	\$798	Please call
SMR40245-56	103312	N/A	N/A	N/A	B-40245-56	N/A	Etched Foil – QDS Connector	\$447	Please call
SMR40245-57	N/A	N/A	N/A	N/A	B-40245-57	N/A	Etched Foil	\$414	Please call
SMR40245-58	N/A	N/A	N/A	N/A	B-40245-58	N/A	Etched Foil	\$414	Please call
SMR40245-60	N/A	N/A	N/A	N/A	B-40245-60	N/A	Etched Foil	\$345	Please call
SMR660714270	N/A	N/A	N/A	N/A	N/A	660714270	Wire Element R354, R389	\$1,994	Please call
SMR660714282	N/A	N/A	N/A	N/A	N/A	660714282	Wire Element R375, R390	\$1,994	Please call
SMR6658	103350	N/A	6658SW	N/A	B-40245-50	N/A	Etched Foil – Wire Leads	\$447	Please call
SMR6662	103309	N/A	6662SW	N/A	B-40245-52	N/A	Etched Foil – Wire Leads	\$447	Please call
SMR6663	N/A	N/A	6663SW	N/A	B-40245-53	N/A	Etched Foil – Wire Leads	\$345	Please call
SMR6722	103310	N/A	6722SW	N/A	B-40183-08	N/A	Wire Element – Wire Leads	\$560	Please call
SMR6885	N/A	N/A	6885	N/A	N/A	N/A	Wire Leads, Wire Element	\$667	Please call
SMR6890	N/A	N/A	6890	N/A	N/A	660716276	Wire Element – Wire Leads	\$1,061	Please call
SMR697070208	N/A	N/A	N/A	N/A	N/A	697070208	Wire Element DHC-8-400 w/ R408/6-123-F/17	\$2,859	Please call

SMR6975-10R	N/A	6975-10R	N/A	N/A	N/A	N/A	Replacement QDS Kit Containing Propeller Boot SMR6975-11 and Wire Harness SMR6976-11	\$678	Please call
SMR6975-11	4H6975-11	4E6975-11	N/A	N/A	N/A	N/A	Wire Element – QDS Connector	\$459	Please call
SMR715841	N/A	N/A	715841SW	N/A	N/A	715841	Braided Wire Leads	\$1,332	Please call
SMR802252-4	N/A	N/A	802252SW-4	N/A	N/A	N/A	Etched Foil – Wire Leads	\$1,806	Please call
SMR802259-2	802259SW2	N/A	802259SW2	N/A	N/A	N/A	Etched Foil, 14RF-19	\$1,768	Please call
SMR802337-2	N/A	N/A	802337-2SW	N/A	N/A	N/A	Etched Foil – Integral Lead	\$2,405	Please call
SMR815475-5	N/A	N/A	N/A	N/A	N/A	N/A	De-Icer ATR Prop Etched Foil	\$5,127	Please call
SMR820485-1	820485SW1	N/A	820485SW1	N/A	N/A	N/A	Wire Element 56F-1 w/ R 815 505-2, 56F-1 w/815 505-3	\$6,822	Please call
SMR9050	N/A	N/A	N/A	N/A	N/A	N/A	Etched Foil – Integral Lead 28V	\$595	Please call

### ENGINE INLET DE-ICERS

SMR	Goodrich	Airframe P/N	Description	List:	Your Cost:
SMR1319	5E1319	N/A	Beech Engine Inlet De-Icer	\$1,557	Please call
SMR1346	5E1346	N/A	DeHavilland Engine Inlet De-Icer	\$2,276	Please call
SMR1461-1	5E1461-1	N/A	Piper Engine Inlet De-Icer	\$2,994	Please call
SMR1683-1	5E1683-1	N/A	Embraer Engine Inlet De-Icer	\$2,365	Please call
SMR1990-1	5E1990-1	N/A	Piper Engine Inlet De-Icer	\$4,735	Please call
SMR16225-1*	25S-5D5277-19	16225-1	DHC-8 Q400 Engine Inlet De-Icer	\$7,273	Please call
SMR5152-13	29S7D5152-31	N/A	DHC-8 Classic Engine Inlet	\$8,034	Please call
SMR5135-41	29S7D5135-41 (29S-7D5135-43 IS ESTANE ONLY)	N/A	EMB 120 Engine Inlet	\$7,151	Please call

\*Special order, contact Tiffin Aire, Inc for lead time.

### HORN ANTI-ICERS

SMR	Goodrich	Airframe P/N	Description	List:	Your Cost:
SMR2546	5E2546	N/A	DO-328 Elevator Horn Anti-Icer	\$14,928	Please call
SMR2547	5E2547	N/A	DO-328 Rudder Horn Anti-Icer	\$16,135	Please call

### WIRE HARNESS

SMR	Hartzell	Goodrich	Safeway	Rapco	McCauley	Various	Description	List:	Your Cost:
SMR106278	N/A	N/A	N/A	N/A	N/A	N/A	Wire harness	\$171	Please call
SMR102900	201900	N/A	N/A	N/A	N/A	102900	wire harness	\$131	Please call
SMR1889-2	4H1889-2	4E1889-2	7021	RA1989-2	N/A	N/A	3 wire assy with ring terminals	\$133	Please call
SMR1889-3	4H1889-3	4E1889-3	6959	RA1989-3	N/A	N/A	3 wire assy with ring terminals	\$133	Please call
SMR1889-4	4H1889-4	4E1889-4	6871	RA1989-4	N/A	N/A	3 wire assy with ring terminals	\$133	Please call
SMR1889-7	N/A	4E1889-7	6995	N/A	N/A	N/A	3 wire assy with ring terminals	\$135	Please call
SMR1967-1	4H1967-1	4E1967-1	6962	RA2067-1	N/A	N/A	3 wire kit with ring terminals	\$136	Please call
SMR1967-2	4H1967-2	4E1967-2	6963	RA2067-2	N/A	N/A	3 wire kit with ring terminals	\$138	Please call
SMR1967-3	4H1967-3	4E1967-3	6964	RA2067-3	N/A	N/A	3 wire kit with socket connector	\$136	Please call
SMR1967-4	4H1967-4	4E1967-4	6965	RA2067-4	N/A	N/A	3 wire kit with ring terminals	\$136	Please call
SMR1967-5	N/A	4E1967-5	6966	RA2067-5	N/A	N/A	3 wire kit with ring terminals	\$138	Please call
SMR2017-4	3H2017-4	3E2017-4	6881	RA2117-4	N/A	N/A	2 wire assy with ring terminals	\$141	Please call
SMR2017-8	3H2017-8	3E2017-8	6951	RA2117-8	N/A	N/A	2 wire assy with ring terminals	\$185	Please call
SMR2035	N/A	3E2035	N/A	N/A	N/A	N/A	wire harness	\$348	Please call
SMR2050	3H2050	3E2050	6960	RA2150	N/A	N/A	2 wire kit with socket connector	\$117	Please call
SMR2050-2	3H2050-2	3E2050-2	6961	RA2150-2	N/A	N/A	2 wire kit with socket connector	\$117	Please call
SMR2071-1	N/A	4E2071-1	6260SW-1	RAC165013-0602	N/A	C165013-0602	3 wire assy with ring terminals	\$134	Please call
SMR2071-2	4H2071-2	4E2071-2	N/A	RA2171-2	N/A	N/A	3 wire assy with ring terminals	\$195	Please call
SMR2071-3	103767	4E2071-3	6479SW	RA-C165013-0604	B-5051	C165013-0604	3 wire assy with ring terminals	\$124	Please call
SMR2092-1	3H2092-1	3E2092-1	7022	RA2192-1	N/A	N/A	2 wire assy with socket connector	\$133	Please call
SMR2092-2	3H2092-2	3E2092-2	6887	RA2192-2	N/A	N/A	2 wire assy with socket connector	\$133	Please call
SMR2092-3	3H2092-3	3E2092-3	6952	RA2192-3	N/A	N/A	2 wire assy with socket connector	\$133	Please call
SMR2092-4	3H2092-4	3E2092-4	6834	RA2192-4	N/A	N/A	2 wire assy with socket connector	\$135	Please call
SMR2092-5	3H2092-5	3E2092-5	6953	RA2192-5	N/A	N/A	2 wire assy with socket connector	\$133	Please call
SMR2092-6	3H2092-6	3E2092-6	6954	RA2192-6	N/A	N/A	2 wire assy with socket connector	\$133	Please call
SMR2092-9	N/A	3E2092-9	N/A	N/A	N/A	N/A	2 wire assy with socket connector	\$130	Please call
SMR2093-1	N/A	3E2093-1	6992	N/A	N/A	N/A	2 wire assy with socket connector	\$135	Please call
SMR2094-1	N/A	3E2094-1	6955	RA2194-1	N/A	N/A	2 wire assy with socket connector	\$135	Please call
SMR2094-2	N/A	3E2094-2	6956	RA2194-2	N/A	N/A	2 wire assy with socket connector	\$102	Please call
SMR2094-3	N/A	3E2094-3	6993	RA2194-3	N/A	N/A	2 wire assy with socket connector	\$135	Please call
SMR2235-3	N/A	4E2235-3	N/A	N/A	N/A	N/A	3 wire assy with socket connector	\$136	Please call
SMR2293-1	103764	3E2293-1	6875SW	RA40387	B-40387	N/A	2 wire assy with ring/hook terminals	\$135	Please call
SMR2333-1	N/A	3E2333-1	6957	N/A	N/A	N/A	3 wire assy with socket connector	\$133	Please call
SMR2356-1	N/A	3E2356-1	N/A	N/A	N/A	N/A	wire harness	\$129	Please call
SMR2360-4	3H2360-4	3E2360-4	N/A	N/A	N/A	N/A	2 wire assy with socket connector	\$116	Please call
SMR2369-1	4H2369-1	4E2369-1	6987	RA2469-1	N/A	N/A	3 wire assy with socket connector	\$141	Please call
SMR2369-2	N/A	4E2369-2	6941	RA2469-2	N/A	N/A	3 wire assy with socket connector	\$144	Please call

SMR2369-4	4H2369-4	4E2369-4	N/A	N/A	N/A	N/A	3 wire assy with socket connector	\$141	Please call
SMR2369-5	4H2369-5	4E2369-5	N/A	N/A	N/A	N/A	3 wire assy with socket connector	\$141	Please call
SMR2369-6	N/A	3E2369-6	N/A	N/A	N/A	N/A	wire harness	\$141	Please call
SMR2370-4	3H2370-4	3E2370-4	N/A	N/A	N/A	N/A	2 wire kit with socket connector	\$140	Please call
SMR2475-1	N/A	3E2475-1	N/A	N/A	N/A	N/A	wire harness	\$202	Please call
SMR2475-2	N/A	3E2475-2	N/A	N/A	N/A	N/A	wire harness	\$202	Please call
SMR2526-1	3H2526-1	3E2526-1	N/A	RA2626-1	N/A	N/A	2 wire assy with ring terminals	\$141	Please call
SMR3158-1	3E3158-1	N/A	N/A	N/A	N/A	755-379	wire harness 2 wire pressed	\$982	Please call
SMR40178	N/A	N/A	N/A	N/A	B-40178	N/A	3 wire assy with socket connector	\$118	Please call
SMR40276	103761	N/A	6659SW-1	N/A	B-40276	N/A	2 wire assy with ring terminals	\$134	Please call
SMR40330	103763	N/A	6719SW	RA40330	B-40330	N/A	2 wire assy with ring/hook terminals	\$258	Please call
SMR40377	N/A	N/A	N/A	N/A	B-40377	N/A	2 wire assy with ring terminals	\$233	Please call
SMR40531	103765	N/A	N/A	N/A	B-40531	N/A	2 wire assy with socket connector	\$133	Please call
SMR40585	103766	N/A	N/A	N/A	B-40585	N/A	2 wire assy with socket connector	\$133	Please call
SMR40638	N/A	N/A	N/A	N/A	B-40638	N/A	2 wire assy with socket connector	\$433	Please call
SMR40668	N/A	N/A	N/A	N/A	B-40668	N/A	2 wire assy with socket connector	\$356	Please call
SMR40677	N/A	N/A	N/A	N/A	B-40677	N/A	3 wire assy with socket connector	\$114	Please call
SMR5855-1	N/A	D-5855-1	N/A	N/A	N/A	N/A	3 wire assy with ring terminals	\$155	Please call
SMR697037220	N/A	N/A	N/A	N/A	N/A	N/A	wire harness Q400	\$708	Please call
SMR6976-11	H6976-11	N/A	6976-11	N/A	N/A	N/A	wire harness	\$120	Please call

### HARDWARE

SMR	Goodrich	Parker	Description				List:	Your Cost:
SMR1908-1	4E1908-1	N/A	Brush Block Ass for Piper PA-31, PA-31-300, PA-325, PA-31-350, PA-34-200				\$3,207	Please call
SMR2011-10	3E2011-10	N/A	Repair Module for Modular Assemblies				\$283	Please call
SMR2042-4	3E2042-4	N/A	Modular Brush Block for Pilatus PC 12				\$1,660	Please call
SMR2044-1	3E2044-1	N/A	Modular Brush Block				\$1,629	Please call
SMR2044-4	3E2044-4	N/A	Modular Brush Block for TMB700				\$905	Please call
SMR2320-6	3E2320-6	N/A	Constant Force Brush Block Module				\$450	Please call
SMR2342-4	3E2342-4	N/A	Constant Force Brush Block Module				\$1,109	Please call
SMR2346-3	3E2346-3	N/A	Modular Brush Block Assembly for Beechcraft 1900C and SD3-60				\$1,011	Please call

SMR	Goodrich	Parker	Description				List:	Your Cost:
SMR1H43-15	N/A	1H43-15	Inflation De-Ice Valve for PA-23-260 S/N: 27-7554112 to 27-7554168				\$5,578	Please call
SMR1H43-16	N/A	1H43-16	Inflation De-Ice Valve				\$4,879	Please call
SMR1H44-16	N/A	1H44-16	Deflation De-Ice Valve				\$7,054	Please call
SMR2H30-3	N/A	2H30-3	Pressure Relief Valve for Baron 58P, 58TC				\$3,902	Please call
SMR3D2360-02	3D2360-02	N/A	Pressure Control Valve				\$11,888	Please call
SMR2353-06	3D2353-06	N/A	Ejector Flow Control Valve				\$3,236	Please call

SMR	Goodrich	Parker	Description				List:	Your Cost:
SMR8400-03	3D1472	N/A	STC Timer Upgrade Kit Piper 28V				\$12,943	Please call
SMR8400-06	3D1472	N/A	STC Timer Upgrade Kit Piper PA-31				\$12,943	Please call
SMR8400-17	3D1472	N/A	STC Timer Upgrade Kit Piper PA31P				\$12,943	Please call

### ACCESSORIES

SMR	Goodrich	Safeway	Description				List:	Your Cost:
2MA1414-01	N/A	N/A	De-Icer Installation kit				\$880	Please call
2MA1414-12	N/A	N/A	De-Ice Swabs 10 pack				\$90	Please call
2MA1419-01	N/A	N/A	Wing De-Icer Repair Kit (HAZMAT: contains primer / ground shipping within US only)				\$1,274	Please call
2MA1419-02	N/A	N/A	Wing De-Icer Repair Kit (No Primer)				\$1,145	Please call
2MA1425-02	N/A	N/A	Standard Wing De-Icer Adhesive Kit w/ Tools (HAZMAT: contains adhesive & cement / ground shipping within US only)				\$257	Please call
2MA1778-02	N/A	N/A	PSA Wing De-Icer Installation Kit w/ Tools (HAZMAT: contains primer & cement / ground shipping within US only)				\$227	Please call
4MA1929-1	N/A	N/A	5" x 10" Repair Patch				\$43	Please call
4MA1929-2	N/A	N/A	2.5" x 5" Repair Patch				\$11	Please call
4MA1929-3	N/A	N/A	1.25" x 2.5" Repair Patch				\$6	Please call
SMR-A56B-P	N/A	N/A	½ Pint Conductive Edge Sealer (HAZMAT: ground shipping within US only)				\$78	Please call
SMR-A56B-Q	N/A	N/A	1 qt. Conductive Edge Sealer (HAZMAT: ground shipping within US only)				\$186	Please call
SMR6201	N/A	6201SW	Restrainer Strap ~ 24"				\$46	Please call
SMRPLUS-32	N/A	N/A	Ice Shield Plus 32 oz. Container – Ice Adhesion Reduction System				\$359	Please call
SMRPLUS-22	N/A	N/A	Ice Shield Plus 22 oz. Spray Bottle – Ice Adhesion Reduction System				\$260	Please call
SMRCAREKIT			150 Flight Hour De-ice Boot Care Kit - black neoprene only (Cleaner/Conditioner/Inhibitor/Swabs)				\$342	Please call
SMRCLEAN			De-Ice Boot Cleaner 16 oz. (to be used on black neoprene only)				\$76	Please call
SMRCONDITION			De-Ice Boot Conditioner 32 oz. (to be used on black neoprene only)				\$167	Please call
SMRPROTECT			Ice Boot inhibitor 16 oz. (to be used on black neoprene only)				\$130	Please call