

# TIFFIN AIRE



1778 W US 224, Tiffin, Ohio 44883  
 Phone: 800-458-2487  
 Contact: Andrew Newman  
 anewman@tiffinaire.com

## ICE SHIELD AIRCRAFT DE-ICING SYSTEMS

TIFFIN AIRE, INC. IS A LEADING INSTALLER & SUPPLIER OF PNEUMATIC DE-ICE BOOTS. CALL OR E-MAIL FOR A QUOTE TODAY!

### ICE SHIELD PNEUMATIC DE-ICERS BY AIRCRAFT

#### Beech (Raytheon) A36 Bonanza

A36	A36TC	A36	Location:	Goodrich P/N:	SMR PN:	Std Boot List:	PSA Boot List:	Your Cost:
*X	X		Wing LH	25S-5D5129-01	SMR5129-01**	\$5,345	\$5,880	Please call
*X	X		Wing RH	25S-5D5129-02	SMR5129-02**	\$5,345	\$5,880	Please call
X	X	X	Horiz Stab LH	25S-5D5129-03	SMR5129-03**	\$3,169	\$3,486	Please call
X	X	X	Horiz Stab RH	25S-5D5129-04	SMR5129-04**	\$3,169	\$3,486	Please call
		*X	Wing LH	25S-5D5129-05	SMR5129-05**	\$7,977	\$8,774	Please call
		*X	Wing RH	25S-5D5129-06	SMR5129-06**	\$7,977	\$8,774	Please call

\*Verify cut out. \*\*Special order, contact Tiffin Aire, Inc. for lead time.

#### Beech (Raytheon) 55 Baron

55, A55, B55, B55A, C55, C55A	D55, D55A	E55	E55A	Location:	Goodrich P/N:	SMR PN:	Std Boot List:	PSA Boot List:	Your Cost:
X				Light-Tip LH	23S-2004-2-1	SMR2004-2-1**	\$6,045	\$6,650	Please call
X				Light-Tip RH	23S-2004-2-2	SMR2004-2-2**	\$4,687	\$5,155	Please call
X				Horiz Stab LH	23S-2004-5-1	SMR2004-5-1	\$4,154	\$4,570	Please call
X				Horiz Stab RH	23S-2004-5-2	SMR2004-5-2	\$4,154	\$4,570	Please call
X	X	X	X*	Vertical Fin	23S-2004-7-1	SMR2004-7-1	\$3,280	\$3,607	Please call
X	X			Nac-Tip LH	23S-2004-14-1	SMR2004-14-1	\$7,574	\$8,332	Please call
X	X			Nac-Tip RH	23S-2004-14-2	SMR2004-14-2	\$7,574	\$8,332	Please call
	X	X	X***	Horiz Stab LH	23S-2004-15-1	SMR2004-15-1	\$3,186	\$3,505	Please call
	X	X	X***	Horiz Stab RH	23S-2004-15-2	SMR2004-15-2	\$3,206	\$3,527	Please call
		X	X	Nac-Tip LH	23S-2004-17-1	SMR2004-17-1	\$6,260	\$6,886	Please call
		X	X	Nac-Tip RH	23S-2004-17-2	SMR2004-17-2	\$6,260	\$6,886	Please call

FAA requires Ice Shield 2 de-ice boots to be replaced in left & right pairs. \*S/N TE-768 thru TE-937, \*\*\*S/N TE-768 thru TE-977

\*\*Special order, contact Tiffin Aire, Inc. for lead time.

#### Beech (Raytheon) 55 Baron

95-B55/B55A	95-C55/C55A	E55/E55A	Location:	Goodrich P/N:	SMR PN:	Std Boot List:	PSA Boot List:	Your Cost:	
TC-1657, TC-1699, TC-1701 & Up	TC-502 Up	TE-1 - TE-451 TC-350	TE-978 & Up						
X			X	Wing LH	25S-7D5057-01	SMR5057-01	\$6,885	\$7,573	Please call
X			X	Wing RH	25S-7D5057-02	SMR5057-02	\$6,885	\$7,573	Please call
X	X	X		Horiz Stab LH	25S-7D5057-03	SMR5057-03	\$4,557	\$5,012	Please call
X	X	X		Horiz Stab RH	25S-7D5057-04	SMR5057-04	\$4,557	\$5,012	Please call
			X	Horiz Stab LH	25S-7D5057-07	SMR5057-07	\$3,589	\$3,947	Please call
			X	Horiz Stab RH	25S-7D5057-08	SMR5057-08	\$3,589	\$3,947	Please call
X	X	X	X	Vertical Fin	25S-7D5057-09	SMR5057-09	\$3,727	\$4,100	Please call

**Beech (Raytheon) 56, 58 Baron**

56TC	A56TC		58, 58A	Location:	Goodrich P/N:	SMR P/N:	Std Boot List:	PSA Boot List:	Your Cost:
	TG78 Up								
X	X		X	Vertical Fin	23S-2004-7-1	SMR2004-7-1	\$3,280	\$3,607	Please call
X	X		X	Horiz Stab LH	23S-2004-15-1	SMR2004-15-1	\$3,186	\$3,505	Please call
X	X		X	Horiz Stab RH	23S-2004-15-2	SMR2004-15-2	\$3,206	\$3,527	Please call
X	X			Nac-Tip LH	23S-2124-4-1	SMR2124-4-1	\$7,194	\$7,913	Please call
X	X			Nac-Tip RH	23S-2124-4-2	SMR2124-4-2	\$7,194	\$7,913	Please call
X	X*		X	Nac-Tip LH	23S-2124-5-1	SMR2124-5-1**	\$8,019	\$8,822	Please call
X	X*		X	Nac-Tip RH	23S-2124-5-2	SMR2124-5-2	\$7,194	\$7,913	Please call

**FAA requires Ice Shield 2 de-ice boots to be replaced in left & right pairs.**  
**\*Check PMA TG78 & Up. \*\*Special order, contact Tiffin Aire, Inc. for lead time.**

**Beech (Raytheon) 58 Baron**

58TC/58TCA		58P/58PA		Location:	Goodrich P/N:	SMR P/N:	Std Boot List:	PSA Boot List:	Your Cost:
ALL - TK-1 Up		TJ-3 - TJ-31, TJ-33 - TJ-37	TJ-32, TJ-38 Up						
		X		Wing LH	25S-7D5057-01	SMR5057-01	\$6,885	\$7,573	Please call
		X		Wing RH	25S-7D5057-02	SMR5057-02	\$6,885	\$7,573	Please call
X		X	X	Horiz Stab LH	25S-7D5057-07	SMR5057-07	\$3,589	\$3,947	Please call
X		X	X	Horiz Stab RH	25S-7D5057-08	SMR5057-08	\$3,589	\$3,947	Please call
X		X	X	Vertical Fin	25S-7D5057-09	SMR5057-09	\$3,727	\$4,100	Please call
X			X	Wing LH	25S-7D5057-11	SMR5057-11	\$7,639	\$8,402	Please call
X			X	Wing RH	25S-7D5057-12	SMR5057-12	\$7,639	\$8,402	Please call

**Beech (Raytheon) 58 Baron**

58				G58	Location:	Goodrich P/N:	SMR P/N:	Std Boot List:	PSA Boot List:	Your Cost:
TH-1 - TH-370	TH-371 - TH-460	TH-461 - TH-668	TH-669, TH-680 - TH-2124	TH-2125 UP						
	X	X	X	X	Wing LH	25S-7D5057-01	SMR5057-01	\$6,885	\$7,573	Please call
	X	X	X	X	Wing RH	25S-7D5057-02	SMR5057-02	\$6,885	\$7,573	Please call
		X	X	X	Horiz Stab LH	25S-7D5057-07	SMR5057-07	\$3,589	\$3,947	Please call
		X	X	X	Horiz Stab RH	25S-7D5057-08	SMR5057-08	\$3,589	\$3,947	Please call
X	X	X	X	X	Vertical Fin	25S-7D5057-09	SMR5057-09	\$3,727	\$4,100	Please call
			X*	X*	Wing LH	25S-7D5057-11	SMR5057-11	\$7,639	\$8,402	Please call
			X*	X*	Wing RH	25S-7D5057-12	SMR5057-12	\$7,639	\$8,402	Please call
			X**	X**	Inbd LH	25S-7D5057-13	SMR5057-13	\$3,190	\$3,510	Please call
		X**	X**	X**	Outbd RH	25S-7D5057-14	SMR5057-14	\$3,190	\$3,510	Please call

**\*Wet Wing No Cutout. \*\*Check Aircraft 58/58G S/N TH-1472 thru TH-1475, TH-1477 thru TH-1488, TH-1489 and UP**

**Beech (Raytheon) 60 Duke**

60	A60	B60			Location:	Goodrich P/N:	SMR P/N:	Std Boot List:	PSA Boot List:	Your Cost:
		P-123 - P-251	P-123 - P-252	P-123 - P-253						
X	X	X			Horiz Stab LH	23S-2124-2-1	SMR2124-2-1	\$6,066	\$6,672	Please call
X	X	X			Horiz Stab RH	23S-2124-2-2	SMR2124-2-2	\$6,066	\$6,672	Please call
X	X	X		X	Vertical Fin	23S-2124-3-1	SMR2124-3-1	\$3,844	\$4,229	Please call
X					Nac-Tip LH	23S-2124-4-1	SMR2124-4-1	\$7,194	\$7,913	Please call
X					Nac-Tip RH	23S-2124-4-2	SMR2124-4-2	\$7,194	\$7,913	Please call
X	X		X		Nac-Tip LH	23S-2124-5-1	SMR2124-5-1**	\$8,019	\$8,822	Please call
X	X		X		Nac-Tip RH	23S-2124-5-2	SMR2124-5-2	\$7,194	\$7,913	Please call

**FAA requires Ice Shield 2 de-ice boots to be replaced in left & right pairs. \*\*Special order, contact Tiffin Aire, Inc. for lead time.**

**Beech (Raytheon) 60 Duke**

B60			Location:	Goodrich P/N:	SMR P/N:	Std Boot List:	PSA Boot List:	Your Cost:
P-247 - P-252	P-253 - P-347, P-349 - P-364	P-348, P-365 Up						
	X		Wing LH	25S-7D5057-01	SMR5057-01	\$6,885	\$7,573	Please call
	X		Wing RH	25S-7D5057-02	SMR5057-02	\$6,885	\$7,573	Please call
X	X	X	Horiz Stab RH	25S-7D5057-05	SMR5057-05	\$4,963	\$5,459	Please call
X	X	X	Horiz Stab LH	25S-7D5057-06	SMR5057-06	\$4,963	\$5,459	Please call
X	X	X	Vertical Fin	25S-7D5057-10	SMR5057-10	\$3,329	\$3,662	Please call
		X	Wing LH	25S-7D5057-11	SMR5057-11	\$7,639	\$8,402	Please call
		X	Wing RH	25S-7D5057-12	SMR5057-12	\$7,639	\$8,402	Please call

**Beech (Raytheon) Queen Air 65**

A65	A65-80	65-A80	65-A80-880	65-B80	65-88	Location:	Goodrich P/N:	SMR P/N:	Std Boot List:	PSA Boot List:	Your Cost:
X		X	X	X	X	Horiz Stab	23S-2014-9-1	SMR2014-9-1	\$3,625	\$3,987	Please call
X				X	X	Vertical Fin	23S-2014-10-1	SMR2014-10-1	\$3,625	\$3,987	Please call
X	X	X	X	X	X	Brk-Light LH	23S-2014-11-1	SMR2014-11-1	\$7,807	\$8,588	Please call
X	X	X	X	X	X	Brk-Light RH	23S-2014-11-2	SMR2014-11-2	\$7,807	\$8,588	Please call
				X	X	Light-Tip LH	23S-2014-12-1	SMR2014-12-1	\$3,635	\$3,998	Please call
				X	X	Light-Tip RH	23S-2014-12-2	SMR2014-12-2	\$3,635	\$3,998	Please call
				X		Light-Tip LH	23S-2014-15-1	SMR2014-15-1	\$3,987	\$4,386	Please call
				X		Light-Tip RH	23S-2014-15-2	SMR2014-15-2	\$3,987	\$4,386	Please call

FAA requires Ice Shield 2 de-ice boots to be replaced in left & right pairs

**Beech (Raytheon) Queen Air 65**

65-90	65-A90	65-A90-1	65-A90-2	65-A90-3	65-A90-4	Location:	Goodrich P/N:	SMR P/N:	Std Boot List:	PSA Boot List:	Your Cost:
X	X					Engine Inlet	5E1319	SMR1319	\$1,557	N/A	Please call
X	X	X	X	X	X	Horiz Stab	23S-2014-9-1	SMR2014-9-1	\$3,625	\$3,987	Please call
X	X	X	X	X	X	Vertical Fin	23S-2014-10-1	SMR2014-10-1	\$3,625	\$3,987	Please call
X	X	X	X	X	X	Brk-Light LH	23S-2014-11-1	SMR2014-11-1	\$7,807	\$8,588	Please call
X	X	X	X	X	X	Brk-Light RH	23S-2014-11-2	SMR2014-11-2	\$7,807	\$8,588	Please call
		X				Light-Tip LH	23S-2014-12-1	SMR2014-12-1	\$3,635	\$3,998	Please call
		X				Light-Tip RH	23S-2014-12-2	SMR2014-12-2	\$3,635	\$3,998	Please call
			X	X		Brk-Light LH	23S-2014-13-1	SMR2014-13-1*	\$9,085	\$9,993	Please call
			X	X		Brk-Light RH	23S-2014-13-2	SMR2014-13-2*	\$8,496	\$9,346	Please call
	X					Light-Tip LH	23S-2014-15-1	SMR2014-15-1	\$3,987	\$4,386	Please call
	X					Light-Tip RH	23S-2014-15-2	SMR2014-15-2	\$3,987	\$4,386	Please call
					X	Light-Tip LH	23S-2014-22-1	SMR2014-22-1*	\$4,270	\$4,697	Please call
					X	Light-Tip RH	23S-2014-22-2	SMR2014-22-2*	\$4,270	\$4,697	Please call
					X	Light-Tip LH	23S-2014-23-1	SMR2014-23-1*	\$3,839	\$4,223	Please call
					X	Light-Tip RH	23S-2014-23-2	SMR2014-23-2*	\$3,839	\$4,223	Please call

FAA requires Ice Shield 2 de-ice boots to be replaced in left & right pairs. \*Special order, contact Tiffin Aire, Inc. for lead time.

**Beech (Raytheon) Queen Air/King Air 70, 90**

70	B90	C90	E90	Location:	Goodrich P/N:	SMR P/N:	Std Boot List:	PSA Boot List:	Your Cost:
	X	X	X	Engine Inlet	5E1319	SMR1319	\$1,557	N/A	Please call
X	X	X	X	Horiz Stab	23S-2014-9-1	SMR2014-9-1	\$3,625	\$3,987	Please call
X	X	X	X	Vertical Fin	23S-2014-10-1	SMR2014-10-1	\$3,625	\$3,987	Please call
X	X			Brk-Light LH	23S-2014-11-1	SMR2014-11-1	\$7,807	\$8,588	Please call
X	X			Brk-Light RH	23S-2014-11-2	SMR2014-11-2	\$7,807	\$8,588	Please call
	X			Light-Tip LH	23S-2014-12-1	SMR2014-12-1	\$3,635	\$3,998	Please call
	X			Light-Tip RH	23S-2014-12-2	SMR2014-12-2	\$3,635	\$3,998	Please call
X	X	X	X	Light-Tip LH	23S-2014-15-1	SMR2014-15-1	\$3,987	\$4,386	Please call
X	X	X	X	Light-Tip RH	23S-2014-15-2	SMR2014-15-2	\$3,987	\$4,386	Please call
		X		Brk-Tip LH	23S-2014-20-1	SMR2014-20-1	\$9,068	\$9,976	Please call
		X		Brk-Tip RH	23S-2014-20-2	SMR2014-20-2	\$9,068	\$9,976	Please call
		X	X	Brk-Tip LH	23S-2014-21-1	SMR2014-21-1	\$8,439	\$9,282	Please call
		X	X	Brk-Tip RH	23S-2014-21-2	SMR2014-21-2	\$8,439	\$9,282	Please call

FAA requires Ice Shield 2 de-ice boots to be replaced in left & right pairs

**Beech (Raytheon) King Air C90**

C90/C90A C90GT	C90/C90A/C90GT C90GTi		C90GT C90GTi	Location:	Goodrich P/N:	SMR P/N:	Std Boot List:	PSA Boot List:	Your Cost:
LJ-640 - LH-658	LJ-659	LJ-660 - LH-1786	LJ-1787 Up						
X	X	X		Wing LH	25S-7D5064-03	SMR5064-03	\$7,058	\$7,765	Please call
X	X	X		Wing RH	25S-7D5064-04	SMR5064-04	\$7,058	\$7,765	Please call
	X	X	X	Horiz Stab	25S-7D5064-05	SMR5064-05	\$4,033	\$4,437	Please call
		X	X	Vertical Fin	25S-7D5064-10	SMR5064-10	\$3,589	\$3,947	Please call
			X	Wing LH	25S-7D5064-25	SMR5064-25	\$7,498	\$8,247	Please call
			X	Wing RH	25S-7D5064-26	SMR5064-26	\$7,498	\$8,247	Please call

**Beech (Raytheon) King Air 90, 99**

E90 LW 120 Up	F90	F90A	H90	99, 99A, A99, A99A, B99	C99	Location:	Goodrich P/N:	SMR P/N:	Std Boot List:	PSA Boot List:	Your Cost:
				X		Engine Inlet	5E1319	SMR1319	\$1,557	N/A	Please call
		X				Outbd Wing LH	25S-7D5041-01	SMR5041-01	\$6,938	\$7,632	Please call
		X				Outbd Wing RH	25S-7D5041-02	SMR5041-02	\$6,938	\$7,632	Please call
	X					Wing LH	25S-7D5064-01	SMR5064-01	\$6,384	\$7,022	Please call
	X					Wing RH	25S-7D5064-02	SMR5064-02	\$6,384	\$7,022	Please call
X			X			Wing LH	25S-7D5064-03	SMR5064-03	\$7,058	\$7,765	Please call
X			X			Wing RH	25S-7D5064-04	SMR5064-04	\$7,058	\$7,765	Please call
X			X			Horiz Stab	25S-7D5064-05	SMR5064-05	\$4,033	\$4,437	Please call
				X	X	Horiz Stab	25S-7D5064-07	SMR5064-07	\$5,527	\$6,079	Please call
X			X			Vertical Fin	25S-7D5064-10	SMR5064-10	\$3,589	\$3,947	Please call
	X					Horiz Stab LH	25S-7D5064-17	SMR5064-17	\$5,996	\$6,596	Please call
	X					Horiz Stab RH	25S-7D5064-18	SMR5064-18	\$5,996	\$6,596	Please call
					X	Wing LH	25S-7D5064-21	SMR5064-21	\$7,870	\$8,657	Please call
					X	Wing RH	25S-7D5064-22	SMR5064-22	\$7,870	\$8,657	Please call
				X	X	Vertical Fin	25S-7D5064-23	SMR5064-23	\$3,967	\$4,363	Please call

**Beech (Raytheon) Baron 95**

95	B95	B95A, D95A, E95	Location:	Goodrich P/N:	SMR P/N:	Std Boot List:	PSA Boot List:	Your Cost:
X	X		Light-Tip LH	23S-2004-2-1	SMR2004-2-1*	\$6,045	\$6,650	Please call
X	X		Light-Tip RH	23S-2004-2-2	SMR2004-2-2*	\$4,687	\$5,155	Please call
	X	X	Horiz Stab LH	23S-2004-5-1	SMR2004-5-1	\$4,154	\$4,570	Please call
	X	X	Horiz Stab RH	23S-2004-5-2	SMR2004-5-2	\$4,154	\$4,570	Please call

FAA requires Ice Shield 2 de-ice boots to be replaced in left & right pairs. \*Special order, contact Tiffin Aire, Inc. for lead time.

**Beech (Raytheon) King Air 99, 100**

99	99A	A99, A99A, B99	100 B2-89, B93	A100 B1, B91, B92, B94-234	Location:	Goodrich P/N:	SMR P/N:	Std Boot List:	PSA Boot List:	Your Cost:
X	X	X	X	X	Engine Inlet	5E1319	SMR1319	\$1,557	N/A	Please call
X	X	X	X		Brk-Light LH	23S-2014-11-1	SMR2014-11-1	\$7,807	\$8,588	Please call
X	X	X	X		Brk-Light RH	23S-2014-11-2	SMR2014-11-2	\$7,807	\$8,588	Please call
				X	Brk-Tip LH	23S-2014-21-1	SMR2014-21-1	\$8,439	\$9,282	Please call
				X	Brk-Tip RH	23S-2014-21-2	SMR2014-21-2	\$8,439	\$9,282	Please call
		X	X	X	Horiz Stab	23S-2128-5-1	SMR2128-5-1	\$5,887	\$6,477	Please call
		X	X	X	Vertical Fin	23S-2128-6-1	SMR2128-6-1	\$5,889	\$6,479	Please call

FAA requires Ice Shield 2 de-ice boots to be replaced in left & right pairs

**Beech (Raytheon) King Air 100**

100	A100 B235 Up	A100A	A100C	B100	Location:	Goodrich P/N:	SMR P/N:	Std Boot List:	PSA Boot List:	Your Cost:
X	X	X	X		Engine Inlet	5E1319	SMR1319	\$1,557	N/A	Please call
	X			X	Wing LH	25S-7D5064-01	SMR5064-01	\$6,384	\$7,022	Please call
	X			X	Wing RH	25S-7D5064-02	SMR5064-02	\$6,384	\$7,022	Please call
X	X			X	Horiz Stab	25S-7D5064-07	SMR5064-07	\$5,527	\$6,079	Please call
X	X			X	Vertical Fin	25S-7D5064-23	SMR5064-23	\$3,967	\$4,363	Please call

**Beech (Raytheon) King Air 200**

200, A200, A200C, A200CT, B200, B200CGT, B200GT, 200C, 200CT, 200T, B200C, B200CT, B200T	Raisbeck Conv	Location:	Goodrich P/N:	SMR P/N:	Std Boot List:	PSA Boot List:	Your Cost:
	X	Outbd Wing LH	25S-7D5041-01	SMR5041-01	\$6,938	\$7,632	Please call
	X	Outbd Wing RH	25S-7D5041-02	SMR5041-02	\$6,938	\$7,632	Please call
	X	Horiz Stab	25S-7D5041-05	SMR5041-05	\$4,917	\$5,409	Please call
	X	Inbd Wing LH	25S-7D5041-07	SMR5041-07	\$3,507	\$3,857	Please call
	X	Inbd Wing RH	25S-7D5041-08	SMR5041-08	\$3,507	\$3,857	Please call
		Inbd Wing LH	25S-7D5041-13	SMR5041-13	\$3,373	\$3,710	Please call
		Inbd Wing RH	25S-7D5041-14	SMR5041-14	\$3,373	\$3,710	Please call

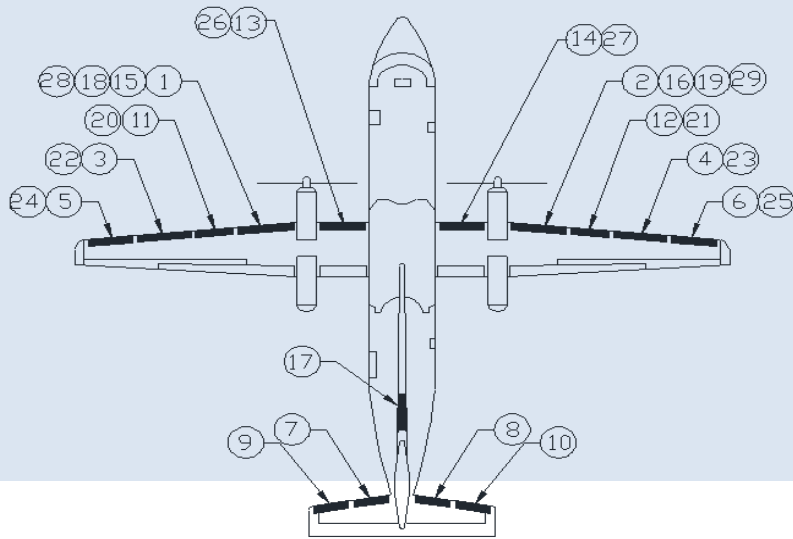
**Beech (Raytheon) King Air 300**

300	300LW	B300	B300C	Location:	Goodrich P/N:	SMR P/N:	Std Boot List:	PSA Boot List:	Your Cost:
X	X	X	X	Inbd Wing LH	25S-7D5041-09	SMR5041-09	\$3,430	\$3,773	Please call
X	X	X	X	Inbd Wing RH	25S-7D5041-10	SMR5041-10	\$3,430	\$3,773	Please call
X	X			Outbd Wing LH	25S-7D5041-11	SMR5041-11	\$6,708	\$7,378	Please call
X	X			Outbd Wing RH	25S-7D5041-12	SMR5041-12	\$6,634	\$7,378	Please call
		X	X	Outbd Wing LH	25S-7D5041-17	SMR5041-17	\$6,413	\$7,055	Please call
		X	X	Outbd Wing RH	25S-7D5041-18	SMR5041-18	\$6,413	\$7,054	Please call
X	X	X	X	Horiz Stab LH	25S-7D5064-17	SMR5064-17	\$5,996	\$6,596	Please call
X	X	X	X	Horiz Stab RH	25S-7D5064-18	SMR5064-18	\$5,996	\$6,596	Please call

**Beech (Raytheon) 1900**

1900	1900C UB-1 & Up	1900C UC-1 & Up	1900C UD-1 & Up	1900D	Location:	Goodrich P/N:	SMR P/N:	Std Boot List:	PSA Boot List:	Your Cost:
X	X	X	X		Fus-Nac LH	29S-7D5137-01	SMR5137-01	\$4,180	\$4,598	Please call
X	X	X	X		Fus-Nac RH	29S-7D5137-02	SMR5137-02	\$4,180	\$4,598	Please call
X	X				Nac-Brk LH	29S-7D5137-03	SMR5137-03	\$3,476	\$3,824	Please call
X	X				Nac-Brk RH	29S-7D5137-04	SMR5137-04	\$3,476	\$3,824	Please call
X	X				Brk-Tip RH	29S-7D5137-06	SMR5137-06	\$8,029	\$8,832	Please call
X	X	X	X		Horiz Stab LH	29S-7D5137-07	SMR5137-07	\$4,624	\$5,086	Please call
X	X	X	X		Horiz Stab RH	29S-7D5137-08	SMR5137-08	\$4,624	\$5,086	Please call
X	X				Brk-Tip LH	29S-7D5137-13	SMR5137-13	\$8,029	\$8,832	Please call
X	X	X	X	X	Stabilon LH	29S-7D5137-15	SMR5137-15	\$4,790	\$5,269	Please call
X	X	X	X	X	Stabilon RH	29S-7D5137-16	SMR5137-16	\$4,790	\$5,269	Please call
		X	X		Nac-Brk LH	29S-7D5137-17	SMR5137-17	\$4,050	\$4,455	Please call
		X	X		Nac-Brk RH	29S-7D5137-18	SMR5137-18	\$4,050	\$4,455	Please call
		X	X		Brk-Tip LH	29S-7D5137-19	SMR5137-19	\$8,591	\$9,450	Please call
		X	X		Brk-Tip RH	29S-7D5137-20	SMR5137-20	\$8,591	\$9,450	Please call
				X	Fus-Nac LH	29S-7D5137-21	SMR5137-21	\$3,329	\$3,661	Please call
				X	Fus-Nac RH	29S-7D5137-22	SMR5137-22	\$3,329	\$3,661	Please call
				X	Nac-Brk LH	29S-7D5137-23	SMR5137-23	\$2,341	\$2,574	Please call
				X	Nac-Brk RH	29S-7D5137-24	SMR5137-24	\$2,341	\$2,574	Please call
				X	Horiz Stab LH	29S-7D5137-25	SMR5137-25	\$3,712	\$4,082	Please call
				X	Horiz Stab RH	29S-7D5137-26	SMR5137-26	\$3,712	\$4,082	Please call
				X	Brk-Tip LH	29S-7D5137-77	SMR5137-77	\$9,468	\$10,415	Please call
				X	Brk-Tip RH	29S-7D5137-78	SMR5137-78	\$9,468	\$10,415	Please call
				X	Taillet LH	29S-4D5201-05	SMR5201-05	\$3,020	\$3,322	Please call
				X	Taillet RH	29S-4D5201-06	SMR5201-06	\$3,020	\$3,322	Please call

de-icing systems

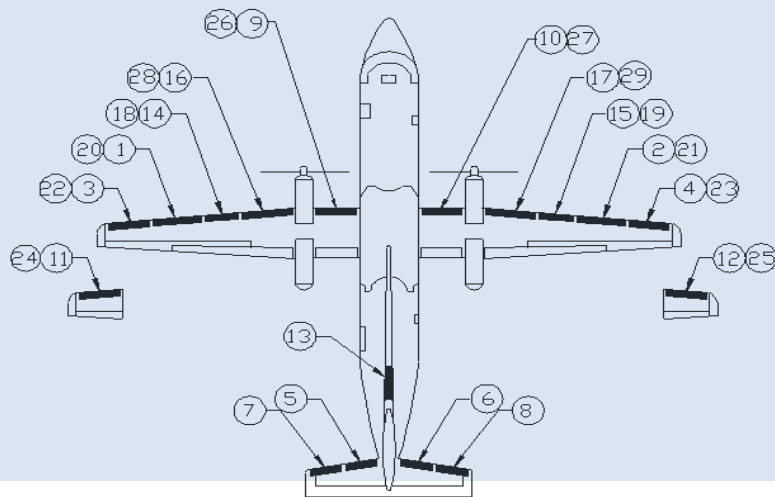


**Bombardier DHC-8-100/-200**

Location:	Pre-Mod	Post-Mod	Location:	Goodrich P/N:	SMR P/N:	Std Boot List:	PSA Boot List:	Your Cost:
1	X		Wing Inbd LH	29S7D5152-01	SMR5152-01	\$3,071	\$3,378	Please call
2	X		Wing Inbd RH	29S7D5152-02	SMR5152-02	\$3,071	\$3,378	Please call
3	X		Wing Ctr Outbd LH	29S7D5152-05	SMR5152-05	\$2,699	\$2,969	Please call
4	X		Wing Ctr Outbd RH	29S7D5152-06	SMR5152-06	\$2,699	\$2,969	Please call
5	X		Wing Outbd LH	29S7D5152-07	SMR5152-07	\$2,954	\$3,250	Please call
6	X		Wing Outbd RH	29S7D5152-08	SMR5152-08	\$2,954	\$3,250	Please call
7	X	X	Stabilizer Inbd LH	29S7D5152-09	SMR5152-09	\$2,681	\$2,949	Please call
8	X	X	Stabilizer Inbd RH	29S7D5152-10	SMR5152-10	\$2,681	\$2,949	Please call
9	X	X	Stabilizer Outbd LH	29S7D5152-11	SMR5152-11	\$2,797	\$3,077	Please call
10	X	X	Stabilizer Outbd RH	29S7D5152-12	SMR5152-12	\$2,797	\$3,077	Please call
11	X		Wing Ctr Inbd LH	29S7D5152-15	SMR5152-15	\$1,827	\$2,009	Please call
12	X		Wing Ctr Inbd RH	29S7D5152-16	SMR5152-16	\$1,827	\$2,009	Please call
17		X	Vertical Fin	29S7D5152-25	SMR5152-25	\$4,621	\$5,084	Please call
18		X	Wing Inbd LH	29S7D5152-35	SMR5152-95*	\$3,482	\$3,831	Please call
19		X	Wing Inbd RH	29S7D5152-36	SMR5152-96*	\$3,482	\$3,831	Please call
20		X	Wing Ctr Inbd LH	29S7D5152-37	SMR5152-37	\$1,827	\$2,009	Please call
21		X	Wing Ctr Inbd RH	29S7D5152-38	SMR5152-38	\$1,827	\$2,009	Please call
22		X	Wing Ctr Outbd LH	29S7D5152-41	SMR5152-41	\$2,699	\$2,969	Please call
23		X	Wing Ctr Outbd RH	29S7D5152-42	SMR5152-42	\$2,699	\$2,969	Please call
24		X	Wing Outbd LH	29S7D5152-43	SMR5152-43	\$2,954	\$3,249	Please call
25		X	Wing Outbd RH	29S7D5152-44	SMR5152-44	\$2,954	\$3,249	Please call
13 & 26		X	Fus-Nac LH	29S7D5152-17 29S7D5152-27	SMR5152-17**	\$3,103	\$3,414	Please call
14 & 27		X	Fus-Nac RH	29S7D5152-18 29S7D5152-28	SMR5152-18**	\$3,103	\$3,414	Please call
15 & 28			Wing Inbd LH	29S7D5152-21 29S7D5152-29	SMR5152-21**	\$3,166	\$3,482	Please call
16 & 29			Wing Inbd RH	29S7D5152-22 29S7D5152-30	SMR5152-22**	\$3,166	\$3,482	Please call

\*Neoprene replacement for UTC Urethane de-ice boots

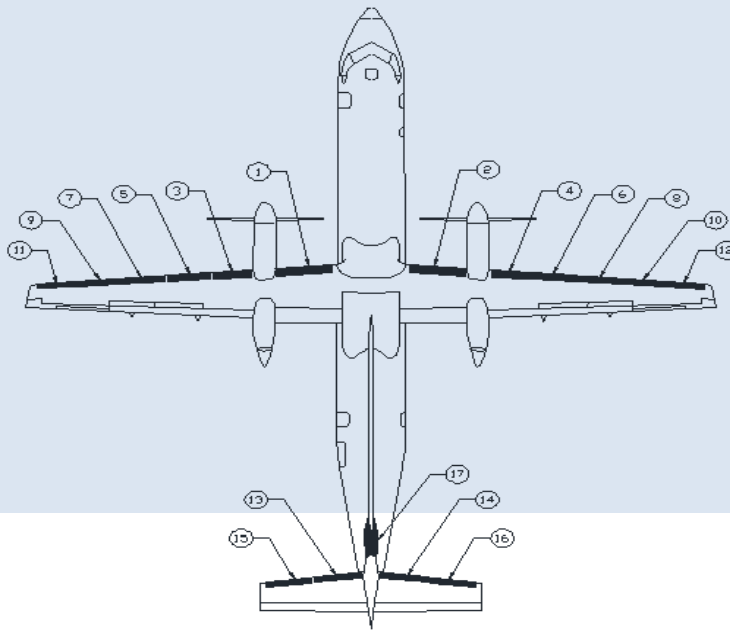
\*\*Neoprene replacement for UTC Neoprene and Urethane de-ice boots



**Bombardier DHC-8-300**

Location:	Pre-Mod	Post-Mod	Location:	Goodrich P/N:	SMR P/N:	Std Boot List:	PSA Boot List:	Your Cost:
1	X		Wing Ctr Outbd LH	29S7D5152-05	SMR5152-05	\$2,699	\$2,969	Please call
2	X		Wing Ctr Outbd RH	29S7D5152-06	SMR5152-06	\$2,699	\$2,969	Please call
3	X		Wing Outbd LH	29S7D5152-07	SMR5152-07	\$2,954	\$3,250	Please call
4	X		Wing Outbd RH	29S7D5152-08	SMR5152-08	\$2,954	\$3,250	Please call
5	X	X	Stabilizer Inbd LH	29S7D5152-09	SMR5152-09	\$2,681	\$2,949	Please call
6	X	X	Stabilizer Inbd RH	29S7D5152-10	SMR5152-10	\$2,681	\$2,949	Please call
7	X	X	Stabilizer Outbd LH	29S7D5152-11	SMR5152-11	\$2,797	\$3,077	Please call
8	X	X	Stabilizer Outbd RH	29S7D5152-12	SMR5152-12	\$2,797	\$3,077	Please call
11	X		Wing Extension LH	29S7D5152-23	SMR5152-23	\$1,714	\$1,886	Please call
12	X		Wing Extension RH	29S7D5152-24	SMR5152-24	\$1,714	\$1,886	Please call
13	X	X	Vertical Fin	29S7D5152-25	SMR5152-25	\$4,621	\$5,084	Please call
14	X		Wing Ctr Inbd LH	29S7D5152-33	SMR5152-33	\$1,766	\$1,942	Please call
15	X		Wing Ctr Inbd RH	29S7D5152-34	SMR5152-34	\$1,766	\$1,942	Please call
16		X	Wing Inbd LH	29S7D5152-35	SMR5152-95*	\$3,482	\$3,831	Please call
17		X	Wing Inbd RH	29S7D5152-36	SMR5152-96*	\$3,482	\$3,831	Please call
18		X	Wing Ctr Inbd LH	29S7D5152-39	SMR5152-39	\$1,766	\$1,942	Please call
19		X	Wing Ctr Inbd RH	29S7D5152-40	SMR5152-40	\$1,766	\$1,942	Please call
20		X	Wing Ctr Outbd LH	29S7D5152-41	SMR5152-41	\$2,699	\$2,969	Please call
21		X	Wing Ctr Outbd RH	29S7D5152-42	SMR5152-42	\$2,699	\$2,969	Please call
22		X	Wing Outbd LH	29S7D5152-43	SMR5152-43	\$2,954	\$3,249	Please call
23		X	Wing Outbd RH	29S7D5152-44	SMR5152-44	\$2,954	\$3,249	Please call
24		X	Wing Extension LH	29S7D5152-45	SMR5152-45	\$1,714	\$1,886	Please call
25		X	Wing Extension RH	29S7D5152-46	SMR5152-46	\$1,714	\$1,886	Please call
28	X		Wing Inbd LH	29S7D5152-29	SMR5152-21	\$3,166	\$3,482	Please call
29	X		Wing Inbd RH	29S7D5152-30	SMR5152-22	\$3,166	\$3,482	Please call
9 & 26	X	X	Fus-Nac LH	29S7D5152-17 29S7D5152-27	SMR5152-17**	\$3,103	\$3,414	Please call
10 & 27	X	X	Fus-Nac RH	29S7D5152-18 29S7D5152-28	SMR5152-18**	\$3,166	\$3,482	Please call

\*Neoprene replacement for UTC Urethane de-ice boots  
 \*\*Neoprene replacement for UTC Neoprene and Urethane de-ice boots



**Bombardier DHC-8-400 (Q400)**

Location:	Location:	Goodrich P/N:	SMR P/N:	Std Boot List:	PSA Boot List:	Your Cost:
1	Fus-Nac LH	29S4D5277-01 P29S4D5277-01	SMR5277-01	\$5,987	\$6,586	Please call
2	Fus-Nac RH	29S4D5277-02 P29S4D5277-02	SMR5277-02	\$5,987	\$6,586	Please call
3	Inbd LH	29S4D5277-03 P29S4D5277-03	SMR5277-03	\$5,957	\$6,553	Please call
4	Inbd RH	29S4D5277-04 P29S4D5277-04	SMR5277-04	\$5,957	\$6,553	Please call
5	Center Inbd LH	29S4D5277-05 P29S4D5277-05	SMR5277-05	\$4,996	\$5,495	Please call
6	Center Inbd RH	29S4D5277-06 P29S4D5277-06	SMR5277-06	\$4,996	\$5,495	Please call
7	Center Outbd LH	29S4D5277-07 P29S4D5277-07	SMR5277-07	\$5,638	\$6,201	Please call
8	Center Outbd RH	29S4D5277-08 P29S4D5277-08	SMR5277-08	\$5,638	\$6,201	Please call
9	Outbd LH	29S4D5277-09 P29S4D5277-09	SMR5277-09	\$5,071	\$5,578	Please call
10	Outbd RH	29S4D5277-10 P29S4D5277-10	SMR5277-10	\$5,071	\$5,578	Please call
11	Wing Extension LH	29S4D5277-11 P29S4D5277-11	SMR5277-11	\$4,347	\$4,782	Please call
12	Wing Extension RH	29S4D5277-12 P29S4D5277-12	SMR5277-12	\$4,347	\$4,782	Please call
13	Horizontal Stab Inbd LH	29S4D5277-13 P29S4D5277-13	SMR5277-13	\$5,276	\$5,804	Please call
14	Horizontal Stab Inbd RH	29S4D5277-14 P29S4D5277-14	SMR5277-14	\$5,276	\$5,804	Please call
15	Horizontal Stab Outbd LH	29S4D5277-15 P29S4D5277-15	SMR5277-15	\$5,385	\$5,924	Please call
16	Horizontal Stab Outbd RH	29S4D5277-16 P29S4D5277-16	SMR5277-16	\$5,385	\$5,924	Please call
17	Vertical Fin	29S4D5277-17 P29S4D5277-17	SMR5277-17	\$5,843	\$6,428	Please call
	Engine Inlet	29S5D5277-19 P29S5D5277-19	SMR16225-1	\$7,273	N/A	Please call
	Electrothermal Propeller Boot	697070208	SMR697070208	\$2,805	N/A	Please call



**Casa 235**

235	Location:	Goodrich P/N:	SMR P/N:	Std Boot List:	PSA Boot List:	Your Cost:
X	Nac-Brk LH	29S-7D5154-01	SMR5154-01	\$5,324	\$5,856	Please call
X	Nac-Brk RH	29S-7D5154-02	SMR5154-02	\$5,324	\$5,856	Please call
X	Brk-Tip LH	29S-7D5154-03	SMR5154-03	\$5,626	\$6,189	Please call
X	Brk-Tip RH	29S-7D5154-04	SMR5154-04	\$5,626	\$6,189	Please call
X	Horiz Stab LH	29S-7D5154-05	SMR5154-05	\$6,700	\$7,370	Please call
X	Horiz Stab RH	29S-7D5154-06	SMR5154-06	\$6,700	\$7,370	Please call
X	Vertical Fin	29S-7D5154-07	SMR5154-07	\$6,594	\$7,253	Please call
X	Horiz Stab LH	29S-7D5154-09	SMR5154-09	\$6,688	\$7,357	Please call
X	Horiz Stab RH	29S-7D5154-10	SMR5154-10	\$6,688	\$7,357	Please call
X	Nac-Brk LH	29S-7D5154-11	SMR5154-11	\$7,131	\$7,844	Please call
X	Nac-Brk RH	29S-7D5154-12	SMR5154-12	\$7,131	\$7,844	Please call
X	Brk-Tip LH	29S-7D5154-13	SMR5154-13	\$7,077	\$7,785	Please call
X	Brk-Tip RH	29S-7D5154-14	SMR5154-14	\$7,077	\$7,785	Please call
X	Horiz Stab LH	29S-7D5154-21	SMR5154-21	\$7,370	\$8,107	Please call
X	Horiz Stab RH	29S-7D5154-22	SMR5154-22	\$7,370	\$8,107	Please call
X	Horiz Stab LH	29S-7D5154-23	SMR5154-23	\$7,357	\$8,093	Please call
X	Horiz Stab RH	29S-7D5154-24	SMR5154-24	\$7,357	\$8,093	Please call

**Cessna 208 Caravan**

208, 208A, 208B	Location:	Goodrich P/N:	SMR P/N:	Std Boot List:	PSA Boot List:	Your Cost:
X	Cargo Box	29S-7D5175-15	SMR5175-15	\$3,326	\$3,659	Please call
X	MLG Fairing	35-7D5175-21	SMR5175-21	\$1,264	\$1,391	Please call
X	MLG Fairing	35-7D5175-22	SMR5175-22	\$1,264	\$1,391	Please call
X	Inbd Wing LH	25S-7D5175-01 29S-7D5175-23	SMR5175-23	\$7,890	\$8,680	Please call
X	Inbd Wing RH	25S-7D5175-02 29S-7D5175-24	SMR5175-24	\$7,890	\$8,680	Please call
X	Outbd Wing LH	25S-7D5175-11 29S-7D5175-25	SMR5175-25	\$6,792	\$7,471	Please call
X	Outbd Wing RH	25S-7D5175-12 29S-7D5175-26	SMR5175-26	\$6,792	\$7,471	Please call
X	Horiz Stab	25S-7D5175-05 29S-7D5175-27	SMR5175-27	\$4,890	\$5,379	Please call
X	Vertical Fin	25S-7D5175-07 29S-7D5175-29	SMR5175-29	\$3,446	\$3,791	Please call
X	Strut	25S-7D5175-09 29S-7D5175-31	SMR5175-31	\$4,136	\$4,550	Please call

**Cessna 210 Centurion**

210, 210A, 210B, 210C, 210D, 210E, 210F, 210G, 210H, 210J, 210K, 210L, 210M (Up to 62868) T210F, T210G, T210H, T210J, T210K, T210L, T210M (Up to 62868) P210N (1 to 120)	Location:	Goodrich P/N:	SMR P/N:	Std Boot List:	PSA Boot List:	Your Cost:
X	Horiz Stab	23S-2038-3-1	SMR2038-3-1	\$3,344	\$3,678	Please call
X	Wing LH	23S-2038-5-1	SMR2038-5-1	\$6,129	\$6,742	Please call
X	Wing RH	23S-2038-5-2	SMR2038-5-2	\$6,697	\$7,366	Please call
X	Wing LH	23S-2038-6-1	SMR2038-6-1	\$6,365	\$7,002	Please call

**FAA requires Ice Shield 2 de-ice boots to be replaced in left & right pairs**

**Cessna 210 Centurion**

210N	P210N 121-834	T210N	T210N 62955-64722	Location:	Goodrich P/N:	SMR P/N:	Std Boot List:	PSA Boot List:	Your Cost:
X	X		X	Wing LH	25S-5D5101-01	SMR5101-01	\$5,607	\$6,169	Please call
X	X		X	Wing RH	25S-5D5101-02	SMR5101-02	\$5,552	\$6,108	Please call
X	X	X	X*	Horiz Stab LH	25S-5D5101-03	SMR5101-03	\$3,009	\$3,310	Please call
X	X	X	X*	Horiz Stab RH	25S-5D5101-04	SMR5101-04	\$3,009	\$3,310	Please call
X	X	X	X*	Vertical Fin	25S-5D5101-05	SMR5101-05	\$2,564	\$2,820	Please call

\*No S/N break

### Cessna 210

T210R, 210R, P210R	Location:	Goodrich P/N:	SMR P/N:	Std Boot List:	PSA Boot List:	Your Cost:
X	Vertical Fin	25S-5D5101-05	SMR5101-05	\$2,564	\$2,820	Please call
X	Wing LH	25S-5D5170-01	SMR5170-01	\$5,675	\$6,243	Please call
X	Wing RH	25S-5D5170-02	SMR5170-02	\$5,571	\$6,128	Please call
X	Horiz Stab LH	25S-5D5170-03	SMR5170-03	\$3,400	\$3,739	Please call
X	Horiz Stab RH	25S-5D5170-04	SMR5170-04	\$3,400	\$3,739	Please call
X	Wing Tip LH	25S-5D5170-07	SMR5170-07*	\$1,743	\$1,917	Please call
X	Wing Tip RH	25S-5D5170-08	SMR5170-08	\$1,743	\$1,917	Please call

\*Special order, contact Tiffin Aire, Inc. for lead time.

### Cessna 300

310A, 310B, 310C 310D, 310E, 310F 310G	310H, 310I, 310J 310K, 310L 310N, 310P	310Q, E310H E310J T310P, E310Q	310R T310R 1-800	Location:	Goodrich P/N:	SMR P/N:	Std Boot List:	PSA Boot List:	Your Cost:
X	X	X	X	Nac-Tip LH	23S-2010-1-1	SMR2010-1-1	\$5,588	\$6,147	Please call
X	X	X	X	Nac-Tip RH w/o LT	23S-2010-1-2	SMR2010-1-2	\$5,181	\$5,699	Please call
X	X	X	X	Horiz Stab	23S-2010-2-1	SMR2010-2-1	\$4,526	\$4,979	Please call
X	X	X	X	Nac-Tip RH w/ LT	23S-2010-3-2	SMR2010-3-2*	\$5,423	\$5,966	Please call

FAA requires Ice Shield 2 de-ice boots to be replaced in left & right pairs. \*Special order, contact Tiffin Aire, Inc. for lead time.

### Cessna 300

320, 320A, 320B, 320C, 320D, 320E	Location:	Goodrich P/N:	SMR P/N:	Std Boot List:	PSA Boot List:	Your Cost:
X	Horiz Stab	23S-2010-2-1	SMR2010-2-1	\$4,526	\$4,979	Please call
X	Nac-Tip LH	23S-2010-6-1	SMR2010-6-1	\$5,664	\$6,231	Please call
X	Nac-Tip RH	23S-2010-6-2	SMR2010-6-2	\$5,274	\$5,802	Please call

FAA requires Ice Shield 2 de-ice boots to be replaced in left & right pairs

### Cessna 300

320F	340	Location:	Goodrich P/N:	SMR P/N:	Std Boot List:	PSA Boot List:	Your Cost:
	X	Nac-Tip LH	23S-2010-1-1	SMR2010-1-1	\$5,588	\$6,147	Please call
	X	Nac-Tip RH	23S-2010-1-2	SMR2010-1-2	\$5,181	\$5,699	Please call
X	X	Horiz Stab	23S-2010-2-1	SMR2010-2-1	\$4,526	\$4,979	Please call
	X	Vertical Fin	23S-2010-5-1	SMR2010-5-1	\$3,516	\$3,867	Please call
X		Nac-Tip LH	23S-2010-6-1	SMR2010-6-1	\$5,664	\$6,231	Please call
X		Nac-Tip RH	23S-2010-6-2	SMR2010-6-2	\$5,274	\$5,802	Please call
	*X	Horiz Stab	25S-4D5147-03	SMR5147-03	\$3,571	\$3,928	Please call

FAA requires Ice Shield 2 de-ice boots to be replaced in left & right pairs

\*SMR5147-03 eligible for S/N: 340-0001 to 340-0115, 340-0151 to 340-0260, 340-0301 to 340-0370 and 340-0501 to 340-0555

### Cessna 300

310R	335	340A	Location:	Goodrich P/N:	SMR P/N:	Std Boot List:	PSA Boot List:	Your Cost:
X	X	X	Nac-Tip LH	27S-7D5070-03	SMR5070-03	\$5,876	\$6,463	Please call
X	X	X	Nac-Tip RH	27S-7D5070-04	SMR5070-04	\$5,876	\$6,463	Please call
X	X	X	Horiz Stab	27S-7D5070-11	SMR5070-11	\$3,746	\$4,120	Please call
X	X	X	Vertical Fin	27S-7D5070-13	SMR5070-13	\$3,589	\$3,947	Please call
X			Fus-Nac LH	27S-7D5070-29	SMR5070-29	\$2,834	\$3,117	Please call
X			Fus-Nac RH	27S-7D5070-30	SMR5070-30	\$2,834	\$3,117	Please call
		X	Fus-Nac LH	27S-7D5070-31	SMR5070-31	\$2,759	\$3,035	Please call
		X	Fus-Nac RH	27S-7D5070-32	SMR5070-32	\$2,759	\$3,035	Please call
	X		Fus-Nac LH	27S-7D5070-51	SMR5070-51**	\$3,210	\$3,531	Please call
	X		Fus-Nac RH	27S-7D5070-52	SMR5070-52**	\$3,210	\$3,531	Please call
		*X	Horiz Stab	25S-4D5147-03	SMR5147-03	\$3,571	\$3,928	Please call

\*SMR5147-03 eligible for 340A S/N: 340A0001 to 340A0125. \*\*Special order, contact Tiffin Aire, Inc. for lead time.

### Cessna T303 Crusader

T303	Location:	Goodrich P/N:	SMR P/N:	Std Boot List:	PSA Boot List:	Your Cost:
X	Inbd Wing LH	25S-5D5124-01	SMR5124-01*	\$3,642	\$4,006	Please call
X	Inbd Wing RH	25S-5D5124-02	SMR5124-02*	\$3,642	\$4,006	Please call
X	Outbd Wing LH	25S-5D5124-03	SMR5124-03*	\$5,355	\$5,891	Please call
X	Outbd Wing RH	25S-5D5124-04	SMR5124-04*	\$5,355	\$5,891	Please call
X	Horiz Stab LH	25S-5D5124-05	SMR5124-05*	\$3,625	\$3,987	Please call
X	Horiz Stab RH	25S-5D5124-06	SMR5124-06*	\$3,625	\$3,987	Please call
X	Vertical Fin	25S-5D5124-07	SMR5124-07*	\$3,243	\$3,567	Please call

\*Special order, contact Tiffin Aire, Inc. for lead time.

### Cessna 337 Skymaster

337G, F337G, FT337GP	T337G	337H, P337H, FT337HP, T337H, T337-SP, F337H	Location:	Goodrich P/N:	SMR P/N:	Std Boot List:	PSA Boot List:	Your Cost:
X	X		Fus-Tip LH	25S-5D5053-01	SMR5053-01	\$10,257	\$11,283	Please call
X	X	X	Fus-Tip RH	25S-5D5053-02	SMR5053-02	\$10,257	\$11,283	Please call
X	X	X	Horiz Stab	25S-5D5053-03	SMR5053-03	\$5,924	\$6,516	Please call
X		X	Fus-Tip LH	25S-5D5053-05	SMR5053-05	\$10,403	\$11,443	Please call

### Cessna 400 (401, 402)

401, 401A, 401B, 402, 402A, 402B (1-800)	Location:	Goodrich P/N:	SMR P/N:	Std Boot List:	PSA Boot List:	Your Cost:
X	Nac-Tip LH	23S-2010-6-1	SMR2010-6-1	\$5,664	\$6,231	Please call
X	Nac-Tip RH	23S-2010-6-2	SMR2010-6-2	\$5,274	\$5,802	Please call
X	Horiz Stab	23S-2074-2-1	SMR2074-2-1	\$3,487	\$3,835	Please call
X	Vertical Fin	23S-2074-3-1	SMR2074-3-1	\$4,742	\$5,216	Please call

FAA requires Ice Shield 2 de-ice boots to be replaced in left & right pairs

### Cessna 400 (402, 404)

402B	402C w/Lights	402C w/o Lights	404 0001 to 0600	404 0601 & Up	Location:	Goodrich P/N:	SMR P/N:	Std Boot List:	PSA Boot List:	Your Cost:
X					Nac-Tip LH	27S-7D5070-03	SMR5070-03	\$5,876	\$6,463	Please call
X					Nac-Tip RH	27S-7D5070-04	SMR5070-04	\$5,876	\$6,463	Please call
X					Fus-Nac LH	27S-7D5070-05	SMR5070-05	\$3,174	\$3,492	Please call
X					Fus-Nac RH	27S-7D5070-06	SMR5070-06	\$3,174	\$3,492	Please call
X	X	X			Horiz Stab	27S-7D5070-11	SMR5070-11	\$3,746	\$4,120	Please call
X					Vertical Fin	27S-7D5070-13	SMR5070-13	\$3,589	\$3,947	Please call
	X	X			Vertical Fin	27S-7D5070-14	SMR5070-14	\$3,589	\$3,947	Please call
			X	X	Fus-Nac LH	27S-7D5070-17	SMR5070-17	\$2,675	\$2,942	Please call
			X	X	Fus-Nac RH	27S-7D5070-18	SMR5070-18	\$2,675	\$2,942	Please call
			X	X	Horiz Stab	27S-7D5070-21	SMR5070-21	\$3,783	\$4,161	Please call
			X	X	Vertical Fin	27S-7D5070-23	SMR5070-23	\$3,451	\$3,796	Please call
			X	X	Fairing LH	27S-7D5070-33	SMR5070-33	\$4,880	\$5,368	Please call
			X	X	Fairing RH	27S-7D5070-34	SMR5070-34	\$4,880	\$5,368	Please call
			X		Nac-Tip RH	27S-7D5070-36	SMR5070-36	\$6,272	\$6,900	Please call
		X			Nac-Tip LH	27S-7D5070-37	SMR5070-37	\$6,938	\$7,632	Please call
		X			Nac-Tip RH	27S-7D5070-38	SMR5070-38	\$6,365	\$7,002	Please call
			X		Nac-Tip LH	27S-7D5070-39	SMR5070-39	\$6,365	\$7,002	Please call
	X	X			Fus-Nac LH	27S-7D5070-41	SMR5070-41	\$3,761	\$4,137	Please call
	X	X			Fus-Nac RH	27S-7D5070-42	SMR5070-42	\$3,761	\$4,137	Please call
				X	Nac-Tip LH	27S-7D5070-45	SMR5070-45	\$7,187	\$7,906	Please call
				X	Nac-Tip RH	27S-7D5070-46	SMR5070-46	\$7,390	\$8,130	Please call
	X				Nac-Tip LH	27S-7D5070-59	SMR5070-59	\$5,931	\$6,524	Please call
	X				Nac-Tip RH	27S-7D5070-60	SMR5070-60*	\$5,931	\$6,524	Please call

\*Special order, contact Tiffin Aire, Inc. for lead time.

### Cessna 400 (411, 414, 421)

411, 411A	414 1-600	421, 421A	421B 1-800	421B 120-800	Location:	Goodrich P/N:	SMR P/N:	Std Boot List:	PSA Boot List:	Your Cost:
	X				Nac-Tip LH	23S-2010-6-1	SMR2010-6-1	\$5,664	\$6,231	Please call
	X				Nac-Tip RH	23S-2010-6-2	SMR2010-6-2	\$5,274	\$5,802	Please call
X		X	X	X	Nac-Tip LH	23S-2074-1-1	SMR2074-1-1	\$4,519	\$4,971	Please call
X		X	X	X	Nac-Tip RH	23S-2074-1-2	SMR2074-1-2	\$4,844	\$5,329	Please call
X	X	X	X	X	Horiz Stab	23S-2074-2-1	SMR2074-2-1	\$3,487	\$3,835	Please call
X	X	X	X	X	Vertical Fin	23S-2074-3-1	SMR2074-3-1	\$4,742	\$5,216	Please call
				X	Fus-Nac LH	23S-2074-4-1	SMR2074-4-1	\$3,626	\$3,988	Please call
				X	Fus-Nac RH	23S-2074-4-2	SMR2074-4-2	\$3,626	\$3,988	Please call

FAA requires Ice Shield 2 de-ice boots to be replaced in left & right pairs

### Cessna 400 (414, 421)

414	414A w/Lights	414A w/o Lights	421B	421C w/Lights	421C w/o Lights	Location:	Goodrich P/N:	SMR P/N:	Std Boot List:	PSA Boot List:	Your Cost:
X						Fus-Nac LH	27S-7D5070-01	SMR5070-01	\$3,026	\$3,329	Please call
X						Fus-Nac RH	27S-7D5070-02	SMR5070-02	\$3,026	\$3,329	Please call
X						Nac-Tip LH	27S-7D5070-03	SMR5070-03	\$5,876	\$6,463	Please call
X						Nac-Tip RH	27S-7D5070-04	SMR5070-04	\$5,876	\$6,463	Please call
	X	X	X	X	X	Fus-Nac LH	27S-7D5070-07	SMR5070-07	\$3,026	\$3,329	Please call
	X	X	X	X	X	Fus-Nac RH	27S-7D5070-08	SMR5070-08	\$3,026	\$3,329	Please call
			X			Nac-Tip LH	27S-7D5070-09	SMR5070-09	\$5,249	\$5,773	Please call
			X			Nac-Tip RH	27S-7D5070-10	SMR5070-10	\$5,249	\$5,773	Please call
X	X	X	X	X	X	Horiz Stab	27S-7D5070-11	SMR5070-11	\$3,746	\$4,120	Please call
X			X			Vertical Fin	27S-7D5070-13	SMR5070-13	\$3,589	\$3,947	Please call
	X	X		X	X	Vertical Fin	27S-7D5070-14	SMR5070-14	\$3,589	\$3,947	Please call
					X	Nac-Tip LH	27S-7D5070-15	SMR5070-15	\$6,669	\$7,336	Please call
					X	Nac-Tip RH	27S-7D5070-16	SMR5070-16	\$6,669	\$7,336	Please call
		X				Nac-Tip LH	27S-7D5070-37	SMR5070-37	\$6,938	\$7,632	Please call
		X				Nac-Tip RH	27S-7D5070-38	SMR5070-38	\$6,365	\$7,002	Please call
				X		Nac-Tip LH	27S-7D5070-57	SMR5070-57	\$5,285	\$5,814	Please call
				X		Nac-Tip RH	27S-7D5070-58	SMR5070-58*	\$5,285	\$5,814	Please call
	X					Nac-Tip LH	27S-7D5070-59	SMR5070-59	\$5,931	\$6,524	Please call
	X					Nac-Tip RH	27S-7D5070-60	SMR5070-60*	\$5,931	\$6,524	Please call

\*Special order, contact Tiffin Aire, Inc. for lead time.

### Cessna 400 (425)

425 to 190	425 191 & Up	Location:	Goodrich P/N:	SMR P/N:	Std Boot List:	PSA Boot List:	Your Cost:
X	X	Vertical Fin	27S-7D5070-14	SMR5070-14	\$3,589	\$3,947	Please call
X	X	Horiz Stab	27S-7D5070-21	SMR5070-21	\$3,783	\$4,161	Please call
X		Nac-Tip LH	27S-7D5070-49	SMR5070-49	\$7,888	\$8,677	Please call
X		Nac-Tip RH	27S-7D5070-50	SMR5070-50	\$7,888	\$8,677	Please call
X	X	Fus-Nac LH	27S-7D5070-53	SMR5070-53	\$4,280	\$4,708	Please call
X	X	Fus-Nac RH	27S-7D5070-54	SMR5070-54	\$4,280	\$4,708	Please call
	X	Nac-Tip LH	27S-7D5070-55	SMR5070-55	\$5,812	\$6,392	Please call
	X	Nac-Tip RH	27S-7D5070-56	SMR5070-56	\$5,812	\$6,392	Please call

### Cessna 400 (406, 441)

406	441 1-102	441 103 & Up	Location:	Goodrich P/N:	SMR P/N:	Std Boot List:	PSA Boot List:	Your Cost:
	X	X	Horiz Stab	27S-7D5070-21	SMR5070-21	\$3,783	\$4,161	Please call
	X	X	Vertical Fin	27S-7D5070-23	SMR5070-23	\$3,451	\$3,796	Please call
X	X	X	Fus-Nac LH	27S-7D5109-01	SMR5109-01	\$5,088	\$5,597	Please call
X	X	X	Fus-Nac RH	27S-7D5109-02	SMR5109-02	\$5,088	\$5,597	Please call
	X		Nac-Tip LH	27S-7D5109-03	SMR5109-03	\$8,817	\$9,698	Please call
	X		Nac-Tip RH	27S-7D5109-04	SMR5109-04	\$8,817	\$9,698	Please call
	X	X	Fus-Nac Ext	27S-7D5109-05	SMR5109-05	\$3,345	\$3,679	Please call
		X	Nac-Tip LH	27S-7D5109-07	SMR5109-07	\$9,352	\$10,287	Please call
		X	Nac-Tip RH	27S-7D5109-08	SMR5109-08	\$9,352	\$10,287	Please call

### Cessna 500 Citation

500 0001-0349	500 0350 & up	500 STC SA645NW	Location:	Goodrich P/N:	SMR P/N:	Std Boot List:	PSA Boot List:	Your Cost:
X			Wing LH	25S-7D5059-01	SMR5059-01	\$6,676	\$7,345	Please call
X			Wing RH	25S-7D5059-02	SMR5059-02	\$6,676	\$7,345	Please call
X*	X*	X*	Horiz Stab	25S-7D5059-03	SMR5059-03	\$3,993	\$4,392	Please call
X	X	X	Vertical Fin	25S-7D5059-05	SMR5059-05	\$3,587	\$3,945	Please call
	X		Wing LH	25S-7D5059-07	SMR5059-07	\$7,863	\$8,649	Please call
	X		Wing RH	25S-7D5059-08	SMR5059-08	\$7,863	\$8,649	Please call
		X	Wing LH	25S-7D5059-11	SMR5059-11	\$6,620	\$7,282	Please call
		X	Wing RH	25S-7D5059-12	SMR5059-12	\$6,620	\$7,282	Please call
X*	X*	X*	Horiz Stab	25S-7D5059-13	SMR5059-13	\$4,051	\$4,456	Please call

\*SMR5059-03 and SMR5059-13 are interchangeable

### Cessna 501, 550, 551 Citation

501	550	551	Location:	Goodrich P/N:	SMR P/N:	Std Boot List:	PSA Boot List:	Your Cost:
X	X*	X	Horiz Stab	25S-7D5059-03	SMR5059-03	\$3,993	\$4,392	Please call
X	X	X	Vertical Fin	25S-7D5059-05	SMR5059-05	\$3,587	\$3,945	Please call
X			Wing LH	25S-7D5059-07	SMR5059-07	\$7,863	\$8,649	Please call
X			Wing RH	25S-7D5059-08	SMR5059-08	\$7,863	\$8,649	Please call
	X	X	Wing LH	25S-7D5059-09	SMR5059-09	\$7,983	\$8,781	Please call
	X	X	Wing RH	25S-7D5059-10	SMR5059-10	\$7,983	\$8,781	Please call
			Wing LH	25S-7D5059-11	SMR5059-11	\$6,620	\$7,282	Please call
			Wing RH	25S-7D5059-12	SMR5059-12	\$6,620	\$7,282	Please call
	X*		Horiz Stab	25S-7D5059-13	SMR5059-13	\$4,051	\$4,456	Please call

\*SMR5059-03 and SMR5059-13 are interchangeable

### Cessna 525 Citation

525 0001 thru 0501	525 0502 and Up	525A	525B	525C	Location:	Goodrich P/N:	SMR P/N:	Std Boot List:	PSA Boot List:	Your Cost:
X*					Horiz Stab LH	25S-4D5244-01	SMR5244-01	\$5,278	\$5,805	Please call
X**					Horiz Stab RH	25S-4D5244-02	SMR5244-02	\$5,278	\$5,805	Please call
X*	X				Horiz Stab LH	29S-4D5244-11	SMR5244-11	\$5,005	\$5,505	Please call
X**	X				Horiz Stab RH	29S-4D5244-12	SMR5244-12	\$5,005	\$5,505	Please call
		X	X		Horiz Stab LH	29S-4D5244-15	SMR5244-15	\$5,295	\$5,825	Please call
		X	X		Horiz Stab RH	29S-4D5244-16	SMR5244-16	\$5,295	\$5,825	Please call
				X	Horiz Stab LH	P29S4D5329-03	SMR5329-03	\$6,279	\$6,907	Please call
				X	Horiz Stab RH	P29S4D5329-04	SMR5329-04	\$6,279	\$6,907	Please call

\*SMR5244-11 is the preferred replacement for the SMR5244-01, \*\*SMR5244-12 is the preferred replacement for the SMR5244-02

### Cessna 560 Citation

560	560 XL	Location:	Goodrich P/N:	SMR P/N:	Std Boot List:	PSA Boot List:	Your Cost:
X		Wing LH	35-5D5230-01	SMR5230-01	\$12,020	\$13,222	Please call
X		Wing RH	35-5D5230-02	SMR5230-02	\$12,020	\$13,222	Please call
X		Horiz Stab LH	29S-5D5225-05	SMR5225-05	\$7,263	\$7,989	Please call
X		Horiz Stab RH	29S-5D5225-06	SMR5225-06*	\$7,263	\$7,989	Please call
	X	Horiz Stab LH	29S4D5280-01	SMR5280-01	\$4,791	\$5,270	Please call
	X	Horiz Stab RH	29S4D5280-02	SMR5280-02	\$4,791	\$5,270	Please call

\*Special order, contact Tiffin Aire, Inc. for lead time.

### Daher Socata TBM 700/850

#### Boots Only

700/850	Location:	TBM P/N:	SMR P/N:	Std Boot List:	Your Cost:
X	RH Outbd Wing	6001507232	SMR9056-306	\$3,081	Please call
X	LH Center Wing	6044507225	SMR9056-303	\$2,416	Please call
X	RH Center Wing	6044507224	SMR9056-304	\$2,416	Please call
X	LH Inboard Wing	6044507221	SMR9056-301	\$2,847	Please call
X	RH Inboard Wing	6044507220	SMR9056-302	\$2,847	Please call
X	LH Outbd Wing W/ Radar Pod	6044507230	SMR9056-305	\$2,219	Please call
X	LH Outbd Wing W/O Radar Pod	6044507231	SMR9056-305-1	\$2,219	Please call
X	LH Horizontal Stab	6044507227	SMR9056-307	\$2,454	Please call
X	RH Horizontal Stab	6044507226	SMR9056-308	\$2,454	Please call
X	Vertical Fin	N/A	SMR9056-309	\$2,454	Please call
X	LH or RH Elevator Horn	6001507225	SMR9056-11	\$1,786	Please call

Ice Shield De-ice Boots are eligible for installation on SMR Technologies leading edges

**Daher Socata TBM 700/850**

**Drilled Leading Edge Assemblies**

700/850	700/850	Location:	TBM P/N:	SMR P/N:	Std Boot List:	Your Cost:
S/N: 63, 68 to 72, 74 to 78, 80, 83 to 9999	S/N: 52, 53, 57, 59, 60 to 63, 67 to 78, 80, 82 thru 9999					
X	X	RH Outbd Wing LE	T700A301000101900	SMR9056-106	\$5,823	Please call
X	X	LH Center Wing LE	T700A301000101400	SMR9056-103	\$5,968	Please call
X	X	RH Center Wing LE	T700A301000101500	SMR9056-104	\$5,968	Please call
X	X	LH Inboard Wing LE	T700A301000101200	SMR9056-101	\$6,924	Please call
X	X	RH Inboard Wing LE	T700A301000101300	SMR9056-102	\$6,924	Please call
X	X	LH Outbd Wing W/ Radar Pod LE	T700A301001200100	SMR9056-105	\$5,895	Please call
X	X	LH Outbd Wing W/O Radar Pod LE	T700A301000101600	SMR9056-105-1	\$5,895	Please call
X	X	LH Horiz Stab LE	T700A3013003000	SMR9056-107	\$4,495	Please call
X	X	RH Horiz Stab LE	T700A3013003001	SMR9056-108	\$4,495	Please call
X	X	Vertical Fin LE	T700A3014003000	SMR9056-109	\$5,951	Please call

**Daher Socata TBM 700/850**

**Undrilled Leading Edge Assemblies**

700/850	700/850	Location:	TBM P/N:	SMR P/N:	Std Boot List:	Your Cost:
S/N: 1 thru 62,67,73	S/N: 1 thru 35, 38, 39, 46, 49, 50					
X	X	RH Outbd Wing LE	T700A3010001920	SMR9056-206	\$5,823	Please call
X	X	LH Center Wing LE	T700A3010001916	SMR9056-203	\$5,554	Please call
X	X	RH Center Wing LE	T700A3010001919	SMR9056-204	\$5,685	Please call
X	X	LH Inboard Wing LE	T700A3010001915	SMR9056-201	\$6,924	Please call
X	X	RH Inboard Wing LE	T700A3010001918	SMR9056-202	\$6,924	Please call
X	X	LH Outbd Wing W/ Radar Pod LE	T700A3010012915	SMR9056-205	\$5,823	Please call
X	X	LH Outbd Wing W/O Radar Pod LE	T700A3010012916	SMR9056-205-1	\$5,823	Please call
X	X	LH Horiz Stab LE	T700A3013003915	SMR9056-207	\$4,495	Please call
X	X	RH Horiz Stab LE	T700A3013003916	SMR9056-208	\$4,495	Please call
X	X	Vertical Fin LE	T700A3014003915	SMR9056-209	\$4,712	Please call

**DeHavilland (Viking) DHC-6 Twin Otter**

DHC6 (All), DHC6-100, DHC6-200, DHC6-300	Location:	Goodrich P/N:	SMR P/N:	Std Boot List:	PSA Boot List:	Your Cost:
X	Engine Inlet	5E1346	SMR1346	\$2,276	N/A	Please call
X	Wing LH	23S-2099-1-1	SMR2099-1-1	\$8,042	\$8,847	Please call
X	Wing RH	23S-2099-1-2	SMR2099-1-2	\$8,042	\$8,847	Please call
X	Horiz Stab LH	23S-2099-50-1	SMR2099-50-1	\$5,183	\$5,701	Please call
X	Horiz Stab RH	23S-2099-50-2	SMR2099-50-2	\$5,183	\$5,701	Please call

FAA requires Ice Shield 2 de-ice boots to be replaced in left & right pairs (replacement option for Goodrich tube-type de-icers)

**Dornier DO-228**

100, 101, 200, 201, 202, 212	Location:	Goodrich P/N:	SMR P/N:	Std Boot List:	PSA Boot List:	Your Cost:
X	Brk-Tip LH	29S-5D5138-03	SMR5138-03	\$4,608	\$5,069	Please call
X	Brk-Tip RH	29S-5D5138-04	SMR5138-04	\$4,608	\$5,069	Please call
X	Horiz Stab LH	30S-5D5138-05	SMR5138-05	\$10,492	\$11,541	Please call
X	Horiz Stab RH	30S-5D5138-06	SMR5138-06	\$10,492	\$11,541	Please call
X	Vertical Fin	29S-5D5138-07	SMR5138-07	\$4,345	\$4,779	Please call
X	Nac-Brk LH	29S-5D5138-11	SMR5138-11	\$4,647	\$5,112	Please call
X	Nac-Brk RH	29S-5D5138-12	SMR5138-12	\$4,647	\$5,112	Please call
X	Fus-Nac LH	29S-5D5138-15	SMR5138-15	\$4,516	\$4,967	Please call
X*	Fus-Nac RH	29S-5D5138-16	SMR5138-16***	\$4,516	\$4,967	Please call
X**	Fus-Nac RH	29S-5D5138-18	SMR5138-18	\$4,128	\$4,541	Please call
X	Fus-Nac LH	29S-5D5138-19	SMR5138-19	\$3,756	\$4,131	Please call

SMR5138-15: 5.2 x 7.5 in cut-out, SMR5138-19: 5.2 x 2.0 in cut-out, \*Without optional pressure refueling, \*\*With optional pressure refueling  
 \*\*\*Special order, contact Tiffin Aire, Inc. for lead time.

### Dornier 328

328-100	328-300	Location:	Goodrich P/N:	SMR P/N:	Std Boot List:	PSA Boot List:	Your Cost:
X	X	Outbd Wing LH	29S-7D5240-01	SMR5240-01	\$6,318	\$6,950	Please call
X	X	Outbd Wing RH	29S-7D5240-02	SMR5240-02	\$6,318	\$6,950	Please call
X	X	Center Wing LH	29S-7D5240-03	SMR5240-03	\$8,062	\$8,868	Please call
X	X	Center Wing RH	29S-7D5240-04	SMR5240-04	\$8,238	\$9,061	Please call
X	X	Outbd Horiz Stab LH	29S-7D5240-07	SMR5240-07	\$11,408	\$12,549	Please call
X	X	Outbd Horiz Stab RH	29S-7D5240-08	SMR5240-08	\$11,408	\$12,549	Please call
X		Vert Fin Tip	29S-7D5240-33	SMR5240-33	\$7,166	\$7,883	Please call
X	X	Inbd Horiz Stab LH	29S-7D5240-35	SMR5240-35	\$5,135	\$5,648	Please call
X	X	Inbd Horiz Stab RH	29S-7D5240-36	SMR5240-36	\$4,939	\$5,433	Please call
X	X	Inbd Wing LH	29S-7D5240-45	SMR5240-45	\$17,776	N/A	Please call
X	X	Inbd Wing RH	29S-7D5240-46	SMR5240-46	\$17,776	N/A	Please call
X	X	Vert Fin	29S-7D5240-47	SMR5240-47	\$9,916	\$10,908	Please call
X	X	Inbd Nac LH	29S-7D5240-49	SMR5240-49	\$6,352	\$6,987	Please call
	X	Inbd Nac RH	29S-7D5240-50	SMR5240-50	\$6,605	\$7,266	Please call
	X	Outbd Nac LH	29S-7D5240-51	SMR5240-51	\$6,605	\$7,266	Please call
	X	Outbd Nac RH	29S-7D5240-52	SMR5240-52	\$6,352	\$6,987	Please call
	X	Vert Fin Tip	29S-7D5240-57	SMR5240-57	\$6,894	\$7,584	Please call

All boots black neoprene

### Embraer 110 Bandeirante

EMB - 110P1, EMB - 110P2	Location:	Goodrich P/N:	SMR P/N:	Std Boot List:	PSA Boot List:	Your Cost:
X	Engine Inlet	5E1683-1	SMR1683-1	\$2,365	N/A	Please call
X	Fus-Nac LH	29S-5D5158-01	SMR5158-01	\$4,110	\$4,521	Please call
X	Fus-Nac RH	29S-5D5158-02	SMR5158-02	\$4,110	\$4,521	Please call
X	Inbd Wing LH	29S-5D5158-03	SMR5158-03	\$4,608	\$5,069	Please call
X	Inbd Wing RH	29S-5D5158-04	SMR5158-04	\$4,608	\$5,069	Please call
X	Outbd Wing LH	29S-5D5158-05	SMR5158-05	\$5,138	\$5,651	Please call
X	Outbd Wing RH	29S-5D5158-06	SMR5158-06	\$5,138	\$5,651	Please call
X	Horiz Stab LH	29S-5D5158-07	SMR5158-07	\$5,625	\$6,187	Please call
X	Horiz Stab RH	29S-5D5158-08	SMR5158-08	\$5,625	\$6,187	Please call
X	Vertical Fin	29S-5D5158-09	SMR5158-09	\$4,356	\$4,792	Please call

### Embraer 120 Brasilia

120, 120RT, 120ER, 120FC, 120QC	Location:	Goodrich P/N:	SMR P/N:	Std Boot List:	PSA Boot List:	Your Cost:
X	Fus-Nac LH	29S-7D5135-25	SMR5135-25	\$4,595	\$5,055	Please call
X	Fus-Nac RH	29S-7D5135-26	SMR5135-26	\$4,595	\$5,055	Please call
X	CenterWing LH	29S-7D5135-27	SMR5135-27	\$7,027	\$7,730	Please call
X	CenterWing RH	29S-7D5135-28	SMR5135-28	\$7,027	\$7,730	Please call
X	Outbd Wing LH	29S-7D5135-29	SMR5135-29	\$7,195	\$7,915	Please call
X	Outbd Wing RH	29S-7D5135-30	SMR5135-30	\$7,195	\$7,915	Please call
X	Horiz Stab LH	29S-7D5135-31	SMR5135-31	\$5,873	\$6,460	Please call
X	Horiz Stab RH	29S-7D5135-32	SMR5135-32	\$5,873	\$6,460	Please call
X	EMBREAR 120 THROAT LH	29S-7D5135-35	SMR5135-35	\$4,753	N/A	Please call
X	EMBREAR 120 THROAT RH	29S-7D5135-36	SMR5135-36	\$4,753	N/A	Please call
X	Vertical Fin	29S-7D5135-39	SMR5135-39	\$6,851	\$7,537	Please call
X	EMB 120 Engine Inlet	29S-7D5135-41 (29S-7D5135-43 IS ESTANE ONLY)	SMR5135-41	\$7,151	N/A	Please call

### Fairchild Metro / Merlin SA-226

SA-226-T, SA-226-AT, SA-226-TC	Location:	Goodrich P/N:	SMR P/N:	Std Boot List:	PSA Boot List:	Your Cost:
X	Nac-Tip LH	25S-5D5071-01	SMR5071-01	\$9,337	\$10,271	Please call
X	Nac-Tip RH	25S-5D5071-02	SMR5071-02	\$9,337	\$10,271	Please call
X	Horiz Stab	25S-5D5071-03	SMR5071-03	\$5,948	\$6,542	Please call

### Fairchild Metro / Merlin SA-227

SA-227 TT, SA-227 AC/-AT	Location:	Goodrich P/N:	SMR P/N:	Std Boot List:	PSA Boot List:	Your Cost:
X	Nac-Tip LH	25S-5D5071-01	SMR5071-01	\$9,337	\$10,271	Please call
X	Nac-Tip RH	25S-5D5071-02	SMR5071-02	\$9,337	\$10,271	Please call
X	Horiz Stab	25S-5D5071-03	SMR5071-03	\$5,948	\$6,542	Please call
X	Fus-Nac LH	25S-5D5071-13	SMR5071-13	\$3,635	\$3,998	Please call
X	Fus-Nac RH	25S-5D5071-14	SMR5071-14	\$3,635	\$3,998	Please call
X	Wing Tip Ext	25S-5D5071-15	SMR5071-15	\$5,928	\$6,521	Please call

**Gulfstream G100/G150/G200**

G100	G150	G200	Location:	Goodrich P/N:	SMR P/N:	Std Boot List:	PSA Boot List:	Your Cost:
X	X		Horiz Stab LH	25S-7D5139-11	SMR5139-11	\$10,083	\$11,091	Please call
X	X		Horiz Stab RH	25S-7D5139-12	SMR5139-12	\$10,083	\$11,091	Please call
X			LH INBD Wing	25S-7D5139-13	SMR5139-13	\$9,514	\$10,466	Please call
X			RH INBD Wing	25S-7D5139-14	SMR5139-14	\$9,514	\$10,466	Please call
X	X	X	Slat LH	25S-7D5139-15	SMR5139-15	\$10,438	\$11,481	Please call
X	X	X	Slat RH	25S-7D5139-16	SMR5139-16	\$10,438	\$11,481	Please call
		X	LH INBD Wing	25S-4D5139-17	SMR5139-17	\$11,326	\$12,459	Please call
		X	RH INBD Wing	25S-4D5139-18	SMR5139-18	\$11,326	\$12,459	Please call
		X	Horiz Stab LH	25S-4D4139-21	SMR5139-21	\$10,062	\$11,068	Please call
		X	Horiz Stab RH	25S-4D5139-22	SMR5139-22	\$10,062	\$11,068	Please call
		X	Krueger Flap LH	25S-4D5139-23	SMR5139-23	\$7,542	\$8,297	Please call
		X	Krueger Flap RH	25S-4D5139-24	SMR5139-24	\$7,542	\$8,297	Please call
	X		LH INBD Wing	25S-4D5139-33	SMR5139-33	\$5,422	\$5,963	Please call
	X		RH INBD Wing	25S-4D5139-34	SMR5139-34	\$5,422	\$5,963	Please call

All boots black neoprene

**Gulfstream (Rockwell) Twin Commander**

500	500A, 500B 500S, 500U	520	560	560A	560F	Location:	Goodrich P/N:	SMR P/N:	Std Boot List:	PSA Boot List:	Your Cost:
X		X	X	X		Nac-Brk LH	23S-2015-1-1	SMR2015-1-1*	\$3,487	\$3,835	Please call
X		X	X	X		Nac-Brk RH	23S-2015-1-2	SMR2015-1-2*	\$3,487	\$3,835	Please call
		X	X	X		Brk-Tip LH	23S-2015-2-1	SMR2015-2-1	\$3,589	\$3,948	Please call
		X	X	X		Brk-Tip RH	23S-2015-2-2	SMR2015-2-2	\$3,589	\$3,948	Please call
X	X	X	X	X	X	Horiz Stab LH	23S-2015-3-1	SMR2015-3-1	\$3,680	\$4,048	Please call
X	X	X	X	X	X	Horiz Stab RH	23S-2015-3-2	SMR2015-3-2	\$3,680	\$4,048	Please call
X		X	X	X		Nac-Brk LH	23S-2015-5-1	SMR2015-5-1	\$3,314	\$3,646	Please call
		X	X	X		Brk-Tip LH	23S-2015-6-1	SMR2015-6-1	\$3,804	\$4,184	Please call
X	X		X	X	X	Vertical Fin	23S-2015-7-1	SMR2015-7-1	\$3,221	\$3,543	Please call
X	X		X			Brk-Tip LH	23S-2015-8-1	SMR2015-8-1	\$3,949	\$4,344	Please call
X	X		X			Brk-Tip LH	23S-2015-9-1	SMR2015-9-1	\$4,096	\$4,506	Please call
X	X		X			Brk-Tip RH	23S-2015-9-2	SMR2015-9-2	\$3,896	\$4,285	Please call
	X				X	Nac-Brk LH	23S-2015-12-1	SMR2015-12-1	\$3,837	\$4,220	Please call
	X				X	Nac-Brk RH	23S-2015-12-2	SMR2015-12-2	\$3,837	\$4,220	Please call
	X				X	Nac-Brk LH	23S-2015-13-1	SMR2015-13-1	\$4,402	\$4,842	Please call

\*Special order, contact Tiffin Aire, Inc. for lead time.

FAA requires Ice Shield 2 de-ice boots to be replaced in left & right pairs

**Gulfstream (Rockwell) Twin Commander**

680	680E	680F	680W, 681	720	Location:	Goodrich P/N:	SMR P/N:	Std Boot List:	PSA Boot List:	Your Cost:
X	X			X	Nac-Brk LH	23S-2015-1-1	SMR2015-1-1*	\$3,487	\$3,835	Please call
X	X			X	Nac-Brk RH	23S-2015-1-2	SMR2015-1-2*	\$3,487	\$3,835	Please call
X			X		Brk-Tip LH	23S-2015-2-1	SMR2015-2-1	\$3,589	\$3,948	Please call
X			X		Brk-Tip RH	23S-2015-2-2	SMR2015-2-2	\$3,589	\$3,948	Please call
X	X	X		X	Horiz Stab LH	23S-2015-3-1	SMR2015-3-1	\$3,680	\$4,048	Please call
X	X	X		X	Horiz Stab RH	23S-2015-3-2	SMR2015-3-2	\$3,680	\$4,048	Please call
X	X			X	Nac-Brk LH	23S-2015-5-1	SMR2015-5-1	\$3,314	\$3,646	Please call
X			X		Brk-Tip LH	23S-2015-6-1	SMR2015-6-1	\$3,804	\$4,184	Please call
X	X	X	X	X	Vertical Fin	23S-2015-7-1	SMR2015-7-1	\$3,221	\$3,543	Please call
				X	Brk-Tip LH	23S-2015-8-1	SMR2015-8-1	\$3,949	\$4,344	Please call
				X	Brk-Tip LH	23S-2015-9-1	SMR2015-9-1	\$4,096	\$4,506	Please call
				X	Brk-Tip RH	23S-2015-9-2	SMR2015-9-2	\$3,896	\$4,285	Please call
		X	X		Nac-Brk LH	23S-2015-12-1	SMR2015-12-1	\$3,837	\$4,220	Please call
		X	X		Nac-Brk RH	23S-2015-12-2	SMR2015-12-2	\$3,837	\$4,220	Please call
		X	X		Nac-Brk LH	23S-2015-13-1	SMR2015-13-1	\$4,402	\$4,842	Please call

FAA requires Ice Shield 2 de-ice boots to be replaced in left & right pairs

\*Special order, contact Tiffin Aire, Inc. for lead time.



**Gulfstream (Rockwell) Twin Commander**

680F(P)	680FL, 680FL(P)	680T, 680V	Location:	Goodrich P/N:	SMR P/N:	Std Boot List:	PSA Boot List:	Your Cost:
		X	Brk-Tip LH	23S-2015-2-1	SMR2015-2-1*	\$3,589	\$3,948	Please call
		X	Brk-Tip RH	23S-2015-2-2	SMR2015-2-2	\$3,589	\$3,948	Please call
		X	Brk-Tip LH	23S-2015-6-1	SMR2015-6-1*	\$3,804	\$4,184	Please call
X	X	X	Vertical Fin	23S-2015-7-1	SMR2015-7-1	\$3,221	\$3,543	Please call
X	X	X	Nac-Brk LH	23S-2015-12-1	SMR2015-12-1	\$3,837	\$4,220	Please call
X	X	X	Nac-Brk RH	23S-2015-12-2	SMR2015-12-2	\$3,837	\$4,220	Please call
X	X	X	Nac-Brk LH	23S-2015-13-1	SMR2015-13-1	\$4,402	\$4,842	Please call
	X		Horiz Stab LH	23S-2015-14-1	SMR2015-14-1	\$3,627	\$3,989	Please call
	X		Horiz Stab RH	23S-2015-14-2	SMR2015-14-2	\$3,627	\$3,989	Please call

FAA requires Ice Shield 2 de-ice boots to be replaced in left & right pairs

\*Check aircraft to identify correct boot needed for Brk-Tip.

**Gulfstream (Rockwell) Twin Commander**

685,690 690A,690B	690C 11600 & UP	690C 11719-11999	690D	Location:	Goodrich P/N:	SMR P/N:	Std Boot List:	PSA Boot List:	Your Cost:
X				Nac-Tip LH	25S-7D5015-01	SMR5015-01	\$4,503	\$4,953	Please call
X				Nac-Tip RH	25S-7D5015-02	SMR5015-02	\$4,503	\$4,953	Please call
X	X		X	Horiz Stab LH	25S-7D5015-03	SMR5015-03	\$3,727	\$4,100	Please call
X	X		X	Horiz Stab RH	25S-7D5015-04	SMR5015-04	\$3,727	\$4,100	Please call
X	X*			Vertical Fin	25S-7D5015-05	SMR5015-05	\$3,347	\$3,683	Please call
		X		Nac-Tip LH	25S-7D5015-07	SMR5015-07	\$3,912	\$4,303	Please call
		X		Nac-Tip RH	25S-7D5015-08	SMR5015-08	\$3,912	\$4,303	Please call
		X	X	Fus-Nac LH	25S-7D5015-13	SMR5015-13	\$2,945	\$3,238	Please call
		X	X	Fus-Nac RH	25S-7D5015-14	SMR5015-14	\$2,945	\$3,238	Please call
		X	X	Nac-Tip LH	25S-7D5015-15	SMR5015-15	\$5,490	\$6,039	Please call
		X	X	Nac-Tip RH	25S-7D5015-16	SMR5015-16	\$5,490	\$6,039	Please call
			X	Vertical Fin	25S-7D5015-21	SMR5015-21	\$2,945	\$3,238	Please call

\*690C 11719-11999: Check aircraft for appropriate selection

**Gulfstream (Rockwell) Twin Commander**

695 95000- 95086	695 95087- 95999	695A To 96014	695A 96015 & Up	695B 96017- 96999	695B 97000 & Up	Location:	Goodrich P/N:	SMR P/N:	Std Boot List:	PSA Boot List:	Your Cost:
X*	X*		X			Horiz Stab LH	25S-7D5015-03	SMR5015-03	\$3,727	\$4,100	Please call
X*	X*		X			Horiz Stab RH	25S-7D5015-04	SMR5015-04	\$3,727	\$4,100	Please call
X						Vertical Fin	25S-7D5015-05	SMR5015-05	\$3,347	\$3,683	Please call
X						Nac-Tip LH	25S-7D5015-07	SMR5015-07	\$3,912	\$4,300	Please call
X						Nac-Tip RH	25S-7D5015-08	SMR5015-08	\$3,912	\$4,300	Please call
	X	X	X	X	X	Fus-Nac LH	25S-7D5015-13	SMR5015-13	\$2,945	\$3,238	Please call
	X	X	X	X	X	Fus-Nac RH	25S-7D5015-14	SMR5015-14	\$2,945	\$3,238	Please call
	X	X	X	X	X	Nac-Tip LH	25S-7D5015-15	SMR5015-15	\$5,490	\$6,039	Please call
	X	X	X	X	X	Nac-Tip RH	25S-7D5015-16	SMR5015-16	\$5,490	\$6,039	Please call
		X	X	X		Vertical Fin	25S-7D5015-21	SMR5015-21	\$2,945	\$3,238	Please call

\*695 S/N 95000 & Up

**Israel Aircraft Industries Westwind**

1124	1124A	Location:	Goodrich P/N:	SMR P/N:	Std Boot List:	PSA Boot List:	Your Cost:
X		Wing LH	25S-7D5083-01	SMR5083-01	\$14,474	\$15,921	Please call
X		Wing RH	25S-7D5083-02	SMR5083-02	\$14,474	\$15,921	Please call
X	X	Horiz Stab LH	25S-7D5083-03	SMR5083-03	\$9,411	\$10,352	Please call
X	X	Horiz Stab RH	25S-7D5083-04	SMR5083-04	\$9,411	\$10,352	Please call
	X	Wing LH	25S-7D5083-09	SMR5083-09	\$18,057	\$19,863	Please call
	X	Wing RH	25S-7D5083-10	SMR5083-10	\$18,057	\$19,863	Please call

**Jetstream 32**

Model 32	Location:	Goodrich P/N:	SMR P/N:	Std Boot List:	PSA Boot List:	Your Cost:
X	Nac-Light LH	29S-7D5255-01	SMR5255-01	\$4,453	\$4,899	Please call
X	Nac-Light RH	29S-7D5255-02	SMR5255-02	\$4,453	\$4,899	Please call
X	Light-Tip LH	29S-7D5255-03	SMR5255-03	\$8,170	\$8,987	Please call
X	Light-Tip RH	29S-7D5255-04	SMR5255-04	\$8,170	\$8,987	Please call
X	Horiz Stab	29S-7D5255-05	SMR5255-05	\$6,799	\$7,479	Please call
X	Vertical Fin	29S-7D5255-07	SMR5255-07	\$4,891	\$5,380	Please call
X	Fus-Nac LH	29S-7D5255-09	SMR5255-09	\$4,929	\$5,422	Please call
X	Fus-Nac RH	29S-7D5255-10	SMR5255-10	\$4,929	\$5,423	Please call

**Mitsubishi MU-2B**

MU-2B	Location:	Goodrich P/N:	SMR P/N:	Std Boot List:	PSA Boot List:	Your Cost:
X	Fus-Nac LH	25S-5D5048-01 23S-2090-1-1	SMR5048-01	\$4,372	\$4,808	Please call
X	Fus-Nac RH	25S-5D5048-02 23S-2090-1-2	SMR5048-02	\$4,372	\$4,808	Please call
X	Nac-Tip LH	25S-5D5048-03 23S-2090-5-1	SMR5048-03	\$5,397	\$5,936	Please call
X	Nac-Tip RH	25S-5D5048-04 23S-2090-5-2	SMR5048-04	\$5,397	\$5,936	Please call
X	Vertical Fin	25S-5D5048-07 23S-2090-4-1 23S-2090-6-1	SMR5048-07	\$4,338	\$4,771	Please call
X	Horiz Stab LH	25S-5D5048-09 23S-2090-3-1 23S-2090-7-1	SMR5048-09	\$4,660	\$5,126	Please call
X	Horiz Stab RH	25S-5D5048-10 23S-2090-3-2 23S-2090-7-2	SMR5048-10	\$4,660	\$5,126	Please call

**Pilatus PC-12**

PC-12, PC-12/45, PC-12/47, PC-12/47E	Location:	Goodrich P/N:	SMR P/N:	Std Boot List:	PSA Boot List:	Your Cost:
X	Inboard LH	27-7D5221-09	SMR5221-09	\$6,697	\$7,367	Please call
X	Inboard RH	27-7D5221-10	SMR5221-10	\$6,697	\$7,367	Please call
X	Outboard LH	27-7D5221-11	SMR5221-11	\$8,821	\$9,703	Please call
X	Outboard RH	27-7D5221-12	SMR5221-12	\$8,821	\$9,703	Please call
X	Horiz Stab LH	27S-7D5221-13	SMR5221-13	\$4,842	\$5,326	Please call
X	Horiz Stab RH	27S-7D5221-14	SMR5221-14	\$4,842	\$5,326	Please call
X	Inboard LH	27-7D5221-21	SMR5221-21	\$6,697	\$7,367	Please call
X	Inboard RH	27-7D5221-22	SMR5221-22	\$6,697	\$7,367	Please call
X	Outboard LH	27-7D5221-23	SMR5221-23	\$8,821	\$9,703	Please call
X	Outboard RH	27-7D5221-24	SMR5221-24	\$8,821	\$9,703	Please call
X	Horiz Stab LH	27-7D5221-25	SMR5221-25	\$4,842	\$5,326	Please call
X	Horiz Stab RH	27-7D5221-26	SMR5221-26	\$4,842	\$5,326	Please call
	Stall Strip	P3D2487	SMR3D2487	\$342	\$381	Please call

**Piper PA-23 Apache/Aztec**

PA-23-235	PA-23-250	Location:	Goodrich P/N:	SMR P/N:	Std Boot List:	PSA Boot List:	Your Cost:
X	X	Wing LH	23S-2039-1-1	SMR2039-1-1	\$7,628	N/A	Please call
X	X	Wing RH	23S-2039-1-2	SMR2039-1-2	\$7,062	N/A	Please call
X	X	Horiz Stab LH	23S-2039-2-1	SMR2039-2-1	\$4,268	\$4,695	Please call
X	X	Horiz Stab RH	23S-2039-2-2	SMR2039-2-2	\$4,268	\$4,695	Please call
X	X	Vertical Fin	23S-2039-3-1	SMR2039-3-1	\$4,292	\$4,721	Please call

Excludes S/N: 27-4773, 4817, 27-7304964, 4994, 4996, 5000, 5004, 5006, 5007, 5009, 5010, 5013, 5016, 5017, 5024, 5025

FAA requires Ice Shield 2 de-ice boots to be replaced in left & right pairs. Applicable to aircraft with field installed de-icing system per kit #760-731.

**Piper PA-23-250 Apache/Aztec**

PA-23-250, PA-23-E250	Location:	Goodrich P/N:	SMR P/N:	Std Boot List:	PSA Boot List:	Your Cost:
X	Wing LH	25S-7D5063-01	SMR5063-01	\$6,708	N/A	Please call
X	Wing RH	25S-7D5063-02	SMR5063-02	\$6,708	N/A	Please call
X	Horiz Stab LH	25S-7D5063-03	SMR5063-03	\$3,415	\$3,757	Please call
X	Horiz Stab RH	25S-7D5063-04	SMR5063-04	\$3,415	\$3,757	Please call
X	Vertical Fin	25S-7D5063-05	SMR5063-05	\$3,397	\$3,736	Please call
X	Horiz Stab LH	25S-7D5063-09	SMR5063-09	\$3,701	\$4,071	Please call
X	Horiz Stab RH	25S-7D5063-10	SMR5063-10	\$3,701	\$4,071	Please call

**Piper PA-31 Navajo/Chieftain**

PA-31	PA-31-325	PA-31P	PA-31T	Location:	Goodrich P/N:	SMR P/N:	Std Boot List:	PSA Boot List:	Your Cost:
PA-31-300	5-7512033	3-7530027	7400002-7400033, 36, 38	Horiz Stab	23S-2100-3-1	SMR2100-3-1	\$4,269	\$4,696	Please call
X	X	X	X	Vertical Fin	23S-2100-4-1	SMR2100-4-1	\$3,739	\$4,113	Please call
X	X	X	X	Nac-Tip LH	23S-2100-5-1	SMR2100-5-1	\$7,754	\$8,529	Please call
X	X	X	X	Nac-Tip RH	23S-2100-5-2	SMR2100-5-2	\$8,827	\$9,709	Please call
			X	Nac-Tip RH	23S-2100-6-2	SMR2100-6-2	\$8,693	\$9,562	Please call
			X	Engine Inlet	5E1461-1	SMR1461-1	\$2,994	N/A	Please call

FAA requires Ice Shield 2 de-ice boots to be replaced in left & right pairs

**Piper PA-31 Navajo/Chieftain**

PA-31-310	PA-31-325 7512033 & Up	PA-31-350	PA-31P	Location:	Goodrich P/N:	SMR P/N:	Std Boot List:	PSA Boot List:	Your Cost:
X	X	X	X	Nac-Tip LH	25S-7D5026-01	SMR5026-01	\$8,903	\$9,792	Please call
X	X	X	X	Nac-Tip RH	25S-7D5026-02	SMR5026-02	\$10,156	\$11,171	Please call
X	X	X	X	Horiz Stab LH	25S-7D5026-03	SMR5026-03	\$4,880	\$5,368	Please call
X	X	X	X	Horiz Stab RH	25S-7D5026-04	SMR5026-04	\$4,880	\$5,368	Please call
X	X	X	X	Vertical Fin	25S-7D5026-05	SMR5026-05	\$4,188	\$4,607	Please call
X	X	X		Fus-Nac LH	25S-7D5026-07	SMR5026-07	\$3,329	\$3,662	Please call
X	X	X		Fus-Nac RH	25S-7D5026-08	SMR5026-08	\$3,329	\$3,662	Please call

**Piper PA-31 Navajo/Chieftain**

PA-31P-350	PA-31T 7520033-7520035 7520038 & Up	PA-31 T1 T2	PA-31 T3	Location:	Goodrich P/N:	SMR P/N:	Std Boot List:	PSA Boot List:	Your Cost:
	X	X		Engine Inlet	5E1461-1	SMR1416-1	\$2,994	N/A	Please call
		X***		Engine Inlet	5E1990-1	SMR1990-1	\$4,467	N/A	Please call
	X	X	X	Nac-Tip LH	25S-7D5026-01	SMR5026-01	\$8,903	\$9,792	Please call
	X*	X*	X	Nac-Tip RH	25S-7D5026-02	SMR5026-02	\$10,156	\$11,171	Please call
X	X	X	X	Horiz Stab LH	25S-7D5026-03	SMR5026-03	\$4,880	\$5,368	Please call
X	X	X	X	Horiz Stab RH	25S-7D5026-04	SMR5026-04	\$4,880	\$5,368	Please call
X	X	X	X	Vertical Fin	25S-7D5026-05	SMR5026-05	\$4,188	\$4,607	Please call
X**	X**	X**	X**	Nac-Tip RH	25S-7D5026-06	SMR5026-06	\$8,919	\$9,811	Please call
X			X	Fus-Nac LH	25S-7D5026-07	SMR5026-07	\$3,329	\$3,662	Please call
X			X	Fus-Nac RH	25S-7D5026-08	SMR5026-08	\$3,329	\$3,662	Please call
X				Nac-Tip LH	25S-7D5026-11	SMR5026-11	\$4,791	\$5,270	Please call
X				Nac-Tip RH	25S-7D5026-12	SMR5026-12	\$4,791	\$5,270	Please call

\*SMR5026-02: Stall speed indicator cut-out, \*\*SMR5026-06: No stall speed indicator

**Piper PA-32R Saratoga**

301-T	PA-32R-301T 3257001 and Up	PA-32-301XTC 3255001 and Up	Location:	Goodrich P/N:	SMR P/N:	Std Boot List:	PSA Boot List:	Your Cost:
X			Wing LH	25S-5D5123-01	SMR5123-01*	\$5,470	\$6,016	Please call
X			Wing RH	25S-5D5123-02	SMR5123-02	\$5,470	\$6,016	Please call
X			Horiz Stab LH	25S-5D5123-03	SMR5123-03	\$2,608	\$2,869	Please call
X			Horiz Stab RH	25S-5D5123-04	SMR5123-04	\$2,608	\$2,869	Please call
X			Vertical Fin	25S-5D5123-05	SMR5123-05	\$2,631	\$2,894	Please call
	X	X	Inboard LH	N/A	SMR9065-01	\$3,780	N/A	Please call
	X	X	Inboard RH	N/A	SMR9065-02	\$3,780	N/A	Please call
	X	X	Center LH	N/A	SMR9065-03	\$4,808	N/A	Please call
	X	X	Center RH	N/A	SMR9065-04	\$4,808	N/A	Please call
	X	X	Vertical Fin	N/A	SMR9065-05	\$4,159	N/A	Please call
	X	X	Horiz Stab LH	N/A	SMR9065-06	\$4,159	N/A	Please call
	X	X	Horiz Stab RH	N/A	SMR9065-07	\$3,528	N/A	Please call
	X	X	Outboard LH	N/A	SMR9065-33	\$6,084	N/A	Please call
	X	X	Outboard RH	N/A	SMR9065-34	\$6,084	N/A	Please call

\*Special order, contact Tiffin Aire, Inc for lead time.

**Piper PA-34 Seneca**

PA-34-200, 200T, PA-34-220T	Location:	Goodrich P/N:	SMR P/N:	Std Boot List:	PSA Boot List:	Your Cost:
X	Wing LH	25S-7D5036-01	SMR5036-01	\$5,636	\$6,200	Please call
X	Wing RH	25S-7D5036-02	SMR5036-02	\$5,636	\$6,200	Please call
X	Horiz Stab LH	25S-7D5036-03	SMR5036-03	\$4,300	\$4,730	Please call
X	Horiz Stab RH	25S-7D5036-04	SMR5036-04	\$4,300	\$4,730	Please call
X	Vertical Fin	25S-7D5036-05	SMR5036-05	\$2,962	\$3,259	Please call
X	Wing LH	25S-7D5036-07	SMR5036-07	\$5,636	\$6,200	Please call
X	Wing RH	25S-7D5036-08	SMR5036-08	\$5,636	\$6,200	Please call

**Piper PA-42 Cheyenne**

PA-42, PA-42-720, PA-42-1000	Location:	Goodrich P/N:	SMR P/N:	Std Boot List:	PSA Boot List:	Your Cost:
X	Fus-Nac LH	25S-7D5095-09	SMR5095-09	\$7,333	\$8,065	Please call
X	Fus-Nac RH	25S-7D5095-10	SMR5095-10	\$7,333	\$8,065	Please call
X	Nac-Tip LH	25S-7D5095-11	SMR5095-11	\$10,833	\$11,917	Please call
X	Horiz Stab LH	25S-7D5095-13	SMR5095-13	\$6,800	\$7,480	Please call
X	Horiz Stab RH	25S-7D5095-14	SMR5095-14	\$6,800	\$7,480	Please call
X	Vertical Fin	25S-7D5095-15	SMR5095-15	\$5,479	\$6,027	Please call
X	Nac-Tip RH	25S-7D5095-18	SMR5095-18	\$10,833	\$11,917	Please call

**Piper PA-46 Malibu/Mirage/Matrix/Meridian**

PA-46-310P	PA-46-350P	PA-46R-350T	PA-46-500TP	Location:	Goodrich P/N:	SMR P/N:	Std Boot List:	PSA Boot List:	Your Cost:
X	X	X		Horiz Stab LH	27S-7D5164-05	SMR5164-05	\$4,102	\$4,512	Please call
X	X	X		Horiz Stab RH	27S-7D5164-06	SMR5164-06	\$4,102	\$4,512	Please call
X	X	X	X	Vertical Fin	27S-7D5164-07	SMR5164-07	\$3,844	\$4,229	Please call
X				Wing LH	27-7D5164-09	SMR5164-09	\$11,430	\$12,572	Please call
	X	X		Wing LH Cut Out	27-7D5164-11	SMR5164-11	\$11,430	\$12,572	Please call
X*	X*	X*		Wing RH	27-7D5164-12	SMR5164-12	\$11,430	\$12,572	Please call
			X	Horiz Stab LH	27-7D5294-05	SMR5294-05	\$4,168	\$4,586	Please call
			X	Horiz Stab RH	27-7D5294-20	SMR5294-20	\$4,168	\$4,586	Please call
			X	Inbd Wing LH	27-7D5294-21	SMR5294-21	\$4,911	\$5,402	Please call
			X	Inbd Wing RH	27-7D5294-22	SMR5294-22	\$4,911	\$5,402	Please call
			X	Outbd Wing LH	27-7D5294-23	SMR5294-23	\$6,774	\$7,450	Please call
			X	Outbd Wing RH	27-7D5294-24	SMR5294-24	\$6,774	\$7,450	Please call

\*SMR5164-12: For aircraft without internal radar

**Piper M600**

M600	Location:	Goodrich P/N:	SMR P/N:	Std Boot List:	PSA Boot List:	Your Cost:
X	Inbd Wing RH	27-4D5350-02	SMR5350-02	\$5,416	\$5,958	Please call
X	Wing LH	27-4D5350-03	SMR5350-03	\$9,932	\$10,926	Please call
X	Outbd Wing RH	27-4D5350-04	SMR5350-04	\$4,154	\$4,570	Please call
X	Horiz Stab LH	27-4D5350-05	SMR5350-05	\$3,589	\$3,948	Please call
X	Horiz Stab RH	27-4D5350-06	SMR5350-06	\$3,589	\$3,948	Please call
X	Vert Fin	27S-7D5164-07	SMR5164-07	\$3,844	\$4,229	Please call

**Piper PA600 Aerostar**

PA600	PA600 161-925	PA601 1-341	PA601 161-925	PA601 926 & Up	Location:	Goodrich P/N:	SMR P/N:	Std Boot List:	PSA Boot List:	Your Cost:
X		X			Wing LH	25S-7D5066-01 23S-2133-1-1	SMR5066-01	\$4,583	\$5,042	Please call
X		X			Wing RH	25S-7D5066-02 23S-2133-1-2	SMR5066-02	\$4,583	\$5,042	Please call
X		X	X	X	Horiz Stab	25S-7D5066-03 23S-2133-2-1	SMR5066-03	\$3,661	\$4,027	Please call
X		X	X	X	Vertical Fin	25S-7D5066-04 23S-2133-3-1	SMR5066-04	\$2,767	\$3,043	Please call
		X	X	X	Wing LH	25S-7D5066-05	SMR5066-05	\$5,246	\$5,770	Please call
		X	X	X	Wing RH	25S-7D5066-06	SMR5066-06	\$5,246	\$5,770	Please call
	X		X		Fus-Nac	25S-7D5066-11	SMR5066-11	\$3,382	\$3,721	Please call

**Piper PA600, PA700 Aerostar**

PA601P 1-156	PA601P 157-212	PA601P 213 & Up	PA602P	PA700P	Location:	Goodrich P/N:	SMR P/N:	Std Boot List:	PSA Boot List:	Your Cost:
X	X				Wing LH	25S-7D5066-01 23S-2133-1-1	SMR5066-01	\$4,583	\$5,042	Please call
X	X				Wing RH	25S-7D5066-02 23S-2133-1-2	SMR5066-02	\$4,583	\$5,042	Please call
X	X	X	X	X	Horiz Stab LH/RH	25S-7D5066-03 23S-2133-2-1	SMR5066-03	\$3,661	\$4,027	Please call
X	X	X	X	X	Vertical Fin	25S-7D5066-04 23S-2133-3-1	SMR5066-04	\$2,767	\$3,043	Please call
	X	X	X	X	Wing LH	25S-7D5066-05	SMR5066-05	\$5,246	\$5,770	Please call
	X	X	X	X	Wing RH	25S-7D5066-06	SMR5066-06	\$5,246	\$5,770	Please call
		X	X	X	Fus-Nac LH/RH	25S-7D5066-11	SMR5066-11	\$3,382	\$3,721	Please call
				X*	Nac-Tip RH	25S-7D5066-14	SMR5066-14	\$6,203	\$6,823	Please call

\*S/N 1027 & Up

**Piper PA-30, PA-39 Twin Comanche**

PA-30, PA-39*	Location:	Goodrich P/N:	SMR P/N:	Std Boot List:	PSA Boot List:	Your Cost:
X	Fus-Nac LH	23S-2085-1-1	SMR2085-1-1	\$8,953	N/A	Please call
X	Fus-Nac RH	23S-2085-1-2	SMR2085-1-2	\$8,953	N/A	Please call
X	Horiz Stab LH/RH	23S-2085-2-1	SMR2085-2-1	\$3,004	N/A	Please call
X	Vertical Fin	23S-2085-3-1	SMR2085-3-1	\$2,965	N/A	Please call

FAA requires Ice Shield 2 de-ice boots to be replaced in left & right pairs (replacement option for Goodrich tube-type de-icers).

\*Reference STC: SA1337SW

**SAAB 340A, 340B**

340A	340B	Location:	Goodrich P/N:	SMR P/N:	Std Boot List:	PSA Boot List:	Your Cost:
X	X	Fus-Nac LH	29S-7D5141-01	SMR5141-01	\$5,562	\$6,118	Please call
X	X	Fus-Nac RH	29S-7D5141-02	SMR5141-02	\$5,562	\$6,118	Please call
X	X	Nac-Light LH	29S-7D5141-03	SMR5141-03	\$7,025	\$7,728	Please call
X	X	Nac-Fuel Door RH	29S-7D5141-04	SMR5141-04	\$6,040	\$6,645	Please call
X	X	Above Fuel Door RH	29S-7D5141-06	SMR5141-06	\$3,391	\$3,731	Please call
X	X	Light-Splice LH	29S-7D5141-07	SMR5141-07	\$4,793	\$5,271	Please call
X	X	Light-Splice RH	29S-7D5141-08	SMR5141-08	\$4,793	\$5,271	Please call
X	X	Splice-Tip LH	29S-7D5141-09	SMR5141-09	\$7,957	\$8,753	Please call
X	X	Splice-Tip RH	29S-7D5141-10	SMR5141-10	\$7,957	\$8,753	Please call
X	X	Vertical Fin	29S-7D5141-13	SMR5141-13	\$6,555	\$7,210	Please call
X	X	Wing Tip EXT LH	29S-7D5141-29	SMR5141-29	\$4,886	\$5,374	Please call
X	X	Wing Tip EXT RH	29S-7D5141-30	SMR5141-30	\$4,886	\$5,374	Please call
X		Horiz Stab LH	9303048-311	SMR5141-311	\$10,663	\$11,729	Please call
X		Horiz Stab RH	9303048-312	SMR5141-312	\$10,663	\$11,729	Please call
	X	Horiz Stab LH	9303048-313	SMR5141-313	\$10,663	\$11,729	Please call
	X	Horiz Stab RH	9309048-314	SMR5141-314	\$10,663	\$11,729	Please call

**Short Brothers**

SD3-60	Location:	Goodrich P/N:	SMR P/N:	Std Boot List:	PSA Boot List:	Your Cost:
X	Horiz Stab LH	29S-5D5144-05	SMR5144-05	\$8,045	\$8,850	Please call
X	Horiz Stab RH	29S-5D5144-06	SMR5144-06	\$8,045	\$8,850	Please call
X	Vertical Fin	29S-5D5144-07	SMR5144-07	\$6,196	\$6,816	Please call
X	Inbd Wing LH	29S-5D5144-09	SMR5144-09	\$6,631	\$7,294	Please call
X	Inbd Wing RH	29S-5D5144-10	SMR5144-10	\$10,741	\$11,816	Please call
X	Outbd Wing RH	29S-5D5144-11	SMR5144-11	\$10,741	\$11,816	Please call
X	Outbd Wing RH	29S-5D5144-12	SMR5144-12	\$8,280	\$9,108	Please call

**Viking (DeHavilland) DHC-6 Twin Otter**

DHC6 (All), DHC6-100, DHC6-200, DHC6-300	Location:	Goodrich P/N:	SMR P/N:	Std Boot List:	PSA Boot List:	Your Cost:
X	Engine Inlet	5E1346	SMR1346	\$2,276	N/A	Please call
X	Wing LH	23S-2099-1-1	SMR2099-1-1	\$8,042	\$8,847	Please call
X	Wing RH	23S-2099-1-2	SMR2099-1-2	\$8,042	\$8,847	Please call
X	Horiz Stab LH	23S-2099-50-1	SMR2099-50-1	\$5,183	\$5,701	Please call
X	Horiz Stab RH	23S-2099-50-2	SMR2099-50-2	\$5,183	\$5,701	Please call

FAA requires Ice Shield 2 de-ice boots to be replaced in left & right pairs (replacement option for Goodrich tube-type de-icers)

**Vulcanair P68 Partenavia**

P68 Victor	P68B Victor	P68C	P68R Victor	P68C-TC	Location:	Goodrich P/N:	SMR P/N:	Std Boot List:	PSA Boot List:	Your Cost:
X	X	X	X	X	Nac-Light LH	25S-5D5039-01	SMR5039-01	\$4,069	N/A	Please call
X	X	*X	**X	****X	Light-TipWing LH	25S-5D5039-03	SMR5039-03	\$5,303	N/A	Please call
X	X	*X	**X		Nac-TipWing RH	25S-5D5039-04	SMR5039-04	\$7,481	N/A	Please call
X	X	X	X	X	Horiz Stab LH/RH	25S-5D5039-05	SMR5039-05	\$4,069	N/A	Please call
X	X	X	X	X	Vertical Fin	25S-5D5039-07	SMR5039-07	\$5,421	N/A	Please call
				****X	Nac-TipWing RH	25S-5D5039-08	SMR5039-08	\$7,813	N/A	Please call
		*****X	***X	*****X	Light-TipWing LH	25S-5D5039-09	SMR5039-09	\$6,597	N/A	Please call
		*****X	***X		Nac-TipWing RH	25S-5D5039-10	SMR5039-10	\$3,049	N/A	Please call
				*****X	Nac-TipWing RH	25S-5D5039-12	SMR5039-12	\$3,049	N/A	Please call

\*Up to S/N 250, excluded S/N 243, \*\*Only S/N 40, \*\*\*From S/N 430, \*\*\*\*Up to S/N 312, \*\*\*\*\*From S/N 313, \*\*\*\*\*From S/N 251 plus S/N 243

### Vulcanair P68 Partenavia

P68 Observer	P68 Observer 2	P68TC Observer	AP68TP 300 Spartacus	AP68TP 600 Viator	Location:	Goodrich P/N:	SMR P/N:	Std Boot List:	PSA Boot List:	Your Cost:
X	X	X			Nac-Light LH	25S-5D5039-01	SMR5039-01	\$4,069	N/A	Please call
*X					Light-Tip Wing LH	25S-5D5039-03	SMR5039-03	\$5,303	N/A	Please call
*X					Nac-Tip Wing RH	25S-5D5039-04	SMR5039-04	\$7,481	N/A	Please call
X	X	X			Horiz Stab LH/RH	25S-5D5039-05	SMR5039-05	\$4,069	N/A	Please call
X	X	X			Vertical Fin	25S-5D5039-07	SMR5039-07	\$5,421	N/A	Please call
**X	X	X			Light-Tip Wing LH	25S-5D5039-09	SMR5039-09	\$6,597	N/A	Please call
**X	X				Nac-Tip Wing RH	25S-5D5039-10	SMR5039-10	\$3,049	N/A	Please call
		X			Nac-Tip Wing RH	25S-5D5039-12	SMR5039-12	\$3,049	N/A	Please call
			X	X	Outbd Wing LH	25S-5D5181-01	SMR5181-01	\$3,785	N/A	Please call
			X	X	Outbd Wing RH	25S-5D5181-02	SMR5181-02	\$3,785	N/A	Please call
			X	X	Horiz Stab LH	25S-5D5181-03	SMR5181-03	\$3,403	N/A	Please call
			X	X	Horiz Stab RH	25S-5D5181-04	SMR5181-04	\$3,403	N/A	Please call
			X	***X	Vertical Fin	25S-5D5181-05	SMR5181-05	\$2,547	N/A	Please call
			X	X	Inbd Wing LH	25S-5D5181-07	SMR5181-07	\$2,660	N/A	Please call
			X	X	Inbd Wing RH	25S-5D5181-08	SMR5181-08	\$2,660	N/A	Please call
				****X	Vertical Fin	25S-5D5181-09	SMR5181-09	\$2,228	N/A	Please call

\*Up to S/N 250, excluded S/N 243, \*\*From S/N 251 plus S/N 243, \*\*\*Only S/N 9001 and 9002, \*\*\*\*From S/N 9003

### PROPELLER DE-ICERS

SMR	Hartzell	Goodrich	Safeway	Rapco	McCauley	Various	Description	List:	Your Cost:
SMR102643	102643	N/A	N/A	N/A	N/A	N/A	Etched Foil – QDS Connector	\$566	Please call
SMR102657	102657	N/A	N/A	N/A	N/A	N/A	Etched Foil – Integral Lead	\$580	Please call
SMR102746	102746	N/A	N/A	N/A	N/A	N/A	Etched Foil – QDS Connector	\$574	Please call
SMR102855	102855	N/A	N/A	N/A	N/A	102855	Etched Foil	\$537	Please call
SMR103503	103503	N/A	N/A	N/A	N/A	N/A	Etched Foil – QDS Connector	\$563	Please call
SMR103771	103771	N/A	N/A	N/A	N/A	N/A	Etched Foil – Wire Leads	\$636	Please call
SMR103880	103880	N/A	N/A	N/A	N/A	N/A	Etched Foil – QDS Connector	\$667	Please call
SMR104112	104112	N/A	N/A	N/A	N/A	N/A	Etched Foil – QDS Connector	\$566	Please call
SMR104286	104286	N/A	N/A	N/A	N/A	N/A	Etched Foil – QDS Connector	\$562	Please call
SMR104729	104729	N/A	N/A	N/A	N/A	N/A	Etched Foil – QDS Connector	\$566	Please call
SMR106453	106453	N/A	N/A	N/A	N/A	N/A	Etched Foil – Wire Leads	\$636	Please call
SMR1188-1	N/A	4E1188-1	N/A	N/A	N/A	N/A	Wire Element – Integral Lead	\$425	Please call
SMR1188-2	4H1188-2	4E1188-2	N/A	N/A	N/A	N/A	Wire Element – Integral Lead	\$465	Please call
SMR1188-3	4H1188-3	4E1188-3	6848, 6959	RA1288-3	N/A	N/A	Wire Element – Integral Lead	\$463	Please call
SMR1188-4	4H1188-4	4E1188-4	6904	RA1288-4	N/A	N/A	Wire Element – Integral Lead	\$463	Please call
SMR1188-5	4H1188-5	4E1188-5	5735 6975(QDS)	RA1288-5	N/A	N/A	Wire Element – Integral Lead	\$475	Please call
SMR1188-6	4H1188-6	4E1188-6	6860	RA1288-6	N/A	N/A	Wire Element – Integral Lead	\$475	Please call
SMR1188-7	4H1188-7	4E1188-7	6905	RA1288-7	N/A	N/A	Wire Element – Wire Leads	\$463	Please call
SMR1214-1	4H1214-1	4E1214-1	6980	N/A	N/A	N/A	Wire Element – Integral Lead	\$425	Please call
SMR1214-2	4H1214-2	4E1214-2	6981	RA1314-2	N/A	N/A	Wire Element – Integral Lead	\$475	Please call
SMR1214-3	4H1214-3	4E1214-3	6982	RA1314-3	N/A	N/A	Wire Element – Integral Lead	\$477	Please call
SMR1214-4	4H1214-4	4E1214-4	N/A	N/A	N/A	N/A	Wire Element – Integral Lead	\$425	Please call
SMR1214-7	441214-7	4E1214-7	6983	N/A	N/A	N/A	Wire Element – Wire Leads	\$423	Please call
SMR1214-10	4H1214-10	4E1214-10	N/A	N/A	N/A	N/A	Wire Element – QDS Connector	\$475	Please call
SMR1601-3	4H1601-3	4E1601-3	6888	RA1701-3	N/A	N/A	Wire Element – Integral Lead	\$475	Please call
SMR1601-4	4H1604-4	4E1601-4	N/A	N/A	N/A	N/A	Wire Element – Integral Lead	\$442	Please call
SMR1601-5	4H1601-5	4E1601-5	6908	N/A	N/A	N/A	Wire Element – Integral lead	\$464	Please call
SMR1601-7	4H1601-7	4E1601-7	6870	RA1701-7	N/A	N/A	Wire Element – Wire Leads	\$464	Please call
SMR1601-10	4H1601-10	4E1601-10	6906	N/A	N/A	N/A	Wire Element – QDS Connector	\$473	Please call
SMR1601-14	4H1601-14	4E1601-14	N/A	N/A	N/A	N/A	Wire Element – Integral Lead	\$475	Please call
SMR1895-2	4H1895-2	4E1895-2	6985	RA1995-2	N/A	N/A	Wire Element – Integral Lead	\$463	Please call
SMR1895-7	4H1895-7	4E1895-7	6986	N/A	N/A	N/A	Wire Element – Wire Leads	\$475	Please call
SMR1895-10	4H1895-10	4E1895-10	N/A	N/A	N/A	N/A	Wire Element – QDS Connector	\$475	Please call
SMR1956-4	103351	4E1956-4	5855BSW 6615SW	RA2056-4	B-40183-04	C165013-0601	Wire Element – Integral Lead	\$345	Please call
SMR2152-2	N/A	4E2152-2	6936SW	RA2252-2	B-40183-05	N/A	Wire Element – Wire Leads	\$433	Please call
SMR2152-4	103359	4E2152-4	6935SW	RA2252-4	B-40183-03 (-06)	N/A	Wire Element – Wire Leads	\$345	Please call
SMR2200-2	4H2200-2	4E2200-2	N/A	N/A	N/A	N/A	Etched Foil – Integral Lead	\$540	Please call
SMR2200-3	4H2200-3	4E2200-3	N/A	N/A	N/A	N/A	Etched Foil – Integral Lead	\$540	Please call
SMR2200-4	4H2200-4	4E2200-4	6881SW	N/A	N/A	N/A	Etched Foil – Integral Lead	\$551	Please call
SMR2200-10	4H2200-10 104285	4E2200-10	6900	N/A	N/A	N/A	Etched Foil – QDS Connector	\$516	Please call
SMR2200-21	4H2200-21	4E2200-21	N/A	N/A	N/A	N/A	Etched Foil – QDS Connector	\$524	Please call
SMR2263	N/A	N/A	N/A	N/A	N/A	N/A	Etched Foil – Integral Lead	\$549	Please call

SMR2271-10	4H2271-10 104284	4E2271-10	6901	N/A	N/A	N/A	Etched Foil – QDS Connector	\$510	Please call
SMR2271-12	4H2271-12	4E2271-12	N/A	N/A	N/A	N/A	Etched foil – QDS Connector	\$531	Please call
SMR2271-13	N/A	4E2271-13	N/A	N/A	N/A	N/A	Etched Foil	\$507	Please call
SMR2271-14	4H2271-14	4E2271-14	N/A	N/A	N/A	N/A	Etched Foil – QDS Connector	\$574	Please call
SMR2271-15	4H2271-15	4E2271-15	N/A	N/A	N/A	N/A	Etched Foil – QDS Connector	\$574	Please call
SMR2292-2	N/A	4E2292-2	N/A	N/A	N/A	N/A	Etched Foil – Integral Lead	\$507	Please call
SMR2292-3	N/A	4E2292-3	N/A	N/A	N/A	N/A	Etched Foil – Integral Lead	\$507	Please call
SMR2292-10	4H2292-10 104283	4E2292-10	6988	N/A	N/A	N/A	Etched Foil – QDS Connector	\$524	Please call
SMR2303-10	4H2303-10 104282	4E2303-10	6989	N/A	N/A	N/A	Etched Foil – QDS Connector	\$537	Please call
SMR2336-12	4H2336-12	4E2336-12	6892	N/A	N/A	N/A	Etched Foil – QDS Connector	\$548	Please call
SMR2351-3	4H2351-3 104281	4E2351-3	N/A	N/A	N/A	N/A	Etched Foil – Integral Lead	\$548	Please call
SMR2560-10	4H2560-10	4E2560-10	6893	N/A	N/A	N/A	Etched Foil – QDS Connector	\$558	Please call
SMR2560-12	4H2560-12	4E2560-12	6894SW	N/A	B-40245-54	N/A	Etched Foil – QDS Connector	\$551	Please call
SMR2575-7	4H2575-7	4E2575-7	N/A	N/A	N/A	N/A	Etched Foil – Wire Leads	\$558	Please call
SMR2575-10	4H2575-10	4E2575-10	N/A	N/A	N/A	N/A	Etched Foil – QDS Connector	\$558	Please call
SMR2595-7	4H2595-7	4E2595-7	6880	N/A	N/A	N/A	Etched Foil – Wire Leads	\$535	Please call
SMR2595-10	4H2595-10	4E2595-10	N/A	N/A	N/A	N/A	Etched Foil – QDS Connector	\$574	Please call
SMR2598-10	4H2598-10	4E2598-10	6984	N/A	N/A	N/A	Etched Foil – QDS Connector	\$675	Please call
SMR2702	103356	4E2702	6592SW	RA2948	B-40183-19 (-01)	N/A	Wire Element – Integral Lead	\$448	Please call
SMR2715-1	103352	4E2715-1	6199SW	RA2815-1	N/A	C165013-0701	Wire Element – Integral Lead	\$438	Please call
SMR2715-2	4H2715-2	4E2715-2	6623SW	N/A	N/A	C165013-0705	Wire Element – Integral Lead	\$438	Please call
SMR2716	N/A	4E2716	6205SW	RA2252-2	B-40183-02	6205	Wire Element – Integral Lead	\$545	Please call
SMR2762-10	N/A	4E2762-10	N/A	N/A	N/A	N/A	QDS Connector	\$611	Please call
SMR2822	103353	4E2822	6717SW	N/A	B-40183-07	N/A	Wire Element – Wire Leads	\$526	Please call
SMR2839-1	4H2839-1	4E2839-1	N/A	N/A	N/A	N/A	Etched Foil – Wire Leads	\$853	Please call
SMR3017-1	4H3017-1	4E3017-1	N/A	N/A	N/A	N/A	Prop De-Icer	\$810	Please call
SMR3029-1	N/A	4E3029-1	N/A	N/A	N/A	N/A	Etched Element	\$754	Please call
SMR3035-10	4H3035-10	4E3035-10	N/A	N/A	N/A	N/A	Etched Foil – QDS Connector	\$600	Please call
SMR3048-10	4H3048-10	4E3048-10	N/A	N/A	N/A	N/A	Etched Foil – QDS Connector	\$588	Please call
SMR3051-10	4H3051-10	4E3051-10	N/A	N/A	N/A	N/A	Etched Foil	\$521	Please call
SMR3101-1	4H3101-1	4E3101-1	N/A	N/A	N/A	N/A	Etched Foil – QDS Connector	\$511	Please call
SMR3101-7	4H3101-7	4E3101-7	N/A	N/A	N/A	N/A	Etched Foil – Wire Leads	\$511	Please call
SMR3400-1	4H3400-1	4E3400-1	N/A	N/A	N/A	N/A	Prop De-Icer	\$786	Please call
SMR3462-1	4H3462-1	N/A	N/A	N/A	N/A	4H3462-1	Wire Element	\$474	Please call
SMR3542-2	N/A	4E3542-2	N/A	N/A	N/A	N/A	Wire Element	\$676	Please call
SMR3545-2	N/A	4E3545-2	N/A	N/A	N/A	N/A	Wire Element	\$702	Please call
SMR37572	37572	37572	N/A	N/A	N/A	N/A	Alcohol Feed Shoe	\$124	Please call
SMR40183-16	N/A	N/A	N/A	N/A	B-40183-16	N/A	Wire Element – Wire Leads	\$516	Please call
SMR40183-17	N/A	N/A	N/A	N/A	B-40183-17	N/A	Wire Element – Wire Leads	\$516	Please call
SMR4018-18	N/A	N/A	N/A	N/A	B-40183-18	N/A	Wire Element	\$414	Please call
SR40183-20	N/A	N/A	N/A	N/A	B-40183-20	N/A	Wire Element	\$345	Please call
SMR40183-55	N/A	N/A	N/A	N/A	B-40183-55	N/A	Wire Element – Wire Leads	\$798	Please call
SMR40245-56	103312	N/A	N/A	N/A	B-40245-56	N/A	Etched Foil – QDS Connector	\$447	Please call
SMR40245-57	N/A	N/A	N/A	N/A	B-40245-57	N/A	Etched Foil	\$414	Please call
SMR40245-58	N/A	N/A	N/A	N/A	B-40245-58	N/A	Etched Foil	\$414	Please call
SMR40245-60	N/A	N/A	N/A	N/A	B-40245-60	N/A	Etched Foil	\$345	Please call
SMR660714270	N/A	N/A	N/A	N/A	N/A	660714270	Wire Element R354, R389	\$1,994	Please call
SMR660714282	N/A	N/A	N/A	N/A	N/A	660714282	Wire Element R375, R390	\$1,994	Please call
SMR6658	103350	N/A	6658SW	N/A	B-40245-50	N/A	Etched Foil – Wire Leads	\$447	Please call
SMR6662	103309	N/A	6662SW	N/A	B-40245-52	N/A	Etched Foil – Wire Leads	\$447	Please call
SMR6663	N/A	N/A	6663SW	N/A	B-40245-53	N/A	Etched Foil – Wire Leads	\$345	Please call
SMR6722	103310	N/A	6722SW	N/A	B-40183-08	N/A	Wire Element – Wire Leads	\$560	Please call
SMR6885	N/A	N/A	6885	N/A	N/A	N/A	Wire Leads, Wire Element	\$667	Please call
SMR6890	N/A	N/A	6890	N/A	N/A	660716276	Wire Element – Wire Leads	\$1,061	Please call
SMR697070208	N/A	N/A	N/A	N/A	N/A	697070208	Wire Element DHC-8-400 w/ R408/6-123-F/17	\$2,859	Please call
SMR6975-10R	N/A	6975-10R	N/A	N/A	N/A	N/A	Replacement QDS Kit Containing Propeller Boot SMR6975-11 and Wire Harness SMR6976-11	\$678	Please call
SMR6975-11	4H6975-11	4E6975-11	N/A	N/A	N/A	N/A	Wire Element – QDS Connector	\$459	Please call
SMR715841	N/A	N/A	715841SW	N/A	N/A	715841	Braided Wire Leads	\$1,332	Please call
SMR802252-4	N/A	N/A	802252SW-4	N/A	N/A	N/A	Etched Foil – Wire Leads	\$1,806	Please call
SMR802259-2	802259SW2	N/A	802259SW2	N/A	N/A	N/A	Etched Foil, 14RF-19	\$1,768	Please call
SMR802337-2	N/A	N/A	802337-2SW	N/A	N/A	N/A	Etched Foil – Integral Lead	\$2,405	Please call
SMR815475-5	N/A	N/A	N/A	N/A	N/A	N/A	De-Icer ATR Prop Etched Foil	\$5,127	Please call
SMR820485-1	820485SW1	N/A	820485SW1	N/A	N/A	N/A	Wire Element 56F-1 w/ R 815 505-2, 56F-1 w/815 505-3	\$6,822	Please call
SMR9050	N/A	N/A	N/A	N/A	N/A	N/A	Etched Foil – Integral Lead 28V	\$595	Please call

### ENGINE INLET DE-ICERS

SMR	Goodrich	Airframe P/N	Description	List:	Your Cost:
SMR1319	5E1319	N/A	Beech Engine Inlet De-Icer	\$1,557	Please call
SMR1346	5E1346	N/A	DeHavilland Engine Inlet De-Icer	\$2,276	Please call
SMR1461-1	5E1461-1	N/A	Piper Engine Inlet De-Icer	\$2,994	Please call
SMR1683-1	5E1683-1	N/A	Embraer Engine Inlet De-Icer	\$2,365	Please call
SMR1990-1	5E1990-1	N/A	Piper Engine Inlet De-Icer	\$4,735	Please call
SMR16225-1*	25S-5D5277-19	16225-1	DHC-8 Q400 Engine Inlet De-Icer	\$7,273	Please call
SMR5152-13	29S7D5152-31	N/A	DHC-8 Classic Engine Inlet	\$8,034	Please call
SMR5135-41	29S7D5135-41 (29S-7D5135-43 IS ESTANE ONLY)	N/A	EMB 120 Engine Inlet	\$7,151	Please call

\*Special order, contact Tiffin Aire, Inc for lead time.

### HORN ANTI-ICERS

SMR	Goodrich	Airframe P/N	Description	List:	Your Cost:
SMR2546	5E2546	N/A	DO-328 Elevator Horn Anti-Icer	\$14,928	Please call
SMR2547	5E2547	N/A	DO-328 Rudder Horn Anti-Icer	\$16,135	Please call

### WIRE HARNESS

SMR	Hartzell	Goodrich	Safeway	Rapco	McCauley	Various	Description	List:	Your Cost:
SMR106278	N/A	N/A	N/A	N/A	N/A	N/A	Wire harness	\$171	Please call
SMR102900	201900	N/A	N/A	N/A	N/A	102900	wire harness	\$131	Please call
SMR1889-2	4H1889-2	4E1889-2	7021	RA1989-2	N/A	N/A	3 wire assy with ring terminals	\$133	Please call
SMR1889-3	4H1889-3	4E1889-3	6959	RA1989-3	N/A	N/A	3 wire assy with ring terminals	\$133	Please call
SMR1889-4	4H1889-4	4E1889-4	6871	RA1989-4	N/A	N/A	3 wire assy with ring terminals	\$133	Please call
SMR1889-7	N/A	4E1889-7	6995	N/A	N/A	N/A	3 wire assy with ring terminals	\$135	Please call
SMR1967-1	4H1967-1	4E1967-1	6962	RA2067-1	N/A	N/A	3 wire kit with ring terminals	\$136	Please call
SMR1967-2	4H1967-2	4E1967-2	6963	RA2067-2	N/A	N/A	3 wire kit with ring terminals	\$138	Please call
SMR1967-3	4H1967-3	4E1967-3	6964	RA2067-3	N/A	N/A	3 wire kit with socket connector	\$136	Please call
SMR1967-4	4H1967-4	4E1967-4	6965	RA2067-4	N/A	N/A	3 wire kit with ring terminals	\$136	Please call
SMR1967-5	N/A	4E1967-5	6966	RA2067-5	N/A	N/A	3 wire kit with ring terminals	\$138	Please call
SMR2017-4	3H2017-4	3E2017-4	6881	RA2117-4	N/A	N/A	2 wire assy with ring terminals	\$141	Please call
SMR2017-8	3H2017-8	3E2017-8	6951	RA2117-8	N/A	N/A	2 wire assy with ring terminals	\$185	Please call
SMR2035	N/A	3E2035	N/A	N/A	N/A	N/A	wire harness	\$348	Please call
SMR2050	3H2050	3E2050	6960	RA2150	N/A	N/A	2 wire kit with socket connector	\$117	Please call
SMR2050-2	3H2050-2	3E2050-2	6961	RA2150-2	N/A	N/A	2 wire kit with socket connector	\$117	Please call
SMR2071-1	N/A	4E2071-1	6260SW-1	RAC165013-0602	N/A	C165013-0602	3 wire assy with ring terminals	\$134	Please call
SMR2071-2	4H2071-2	4E2071-2	N/A	RA2171-2	N/A	N/A	3 wire assy with ring terminals	\$195	Please call
SMR2071-3	103767	4E2071-3	6479SW	RA-C165013-0604	B-5051	C165013-0604	3 wire assy with ring terminals	\$124	Please call
SMR2092-1	3H2092-1	3E2092-1	7022	RA2192-1	N/A	N/A	2 wire assy with socket connector	\$133	Please call
SMR2092-2	3H2092-2	3E2092-2	6887	RA2192-2	N/A	N/A	2 wire assy with socket connector	\$133	Please call
SMR2092-3	3H2092-3	3E2092-3	6952	RA2192-3	N/A	N/A	2 wire assy with socket connector	\$133	Please call
SMR2092-4	3H2092-4	3E2092-4	6834	RA2192-4	N/A	N/A	2 wire assy with socket connector	\$135	Please call
SMR2092-5	3H2092-5	3E2092-5	6953	RA2192-5	N/A	N/A	2 wire assy with socket connector	\$133	Please call
SMR2092-6	3H2092-6	3E2092-6	6954	RA2192-6	N/A	N/A	2 wire assy with socket connector	\$133	Please call
SMR2092-9	N/A	3E2092-9	N/A	N/A	N/A	N/A	2 wire assy with socket connector	\$130	Please call
SMR2093-1	N/A	3E2093-1	6992	N/A	N/A	N/A	2 wire assy with socket connector	\$135	Please call
SMR2094-1	N/A	3E2094-1	6955	RA2194-1	N/A	N/A	2 wire assy with socket connector	\$135	Please call
SMR2094-2	N/A	3E2094-2	6956	RA2194-2	N/A	N/A	2 wire assy with socket connector	\$102	Please call
SMR2094-3	N/A	3E2094-3	6993	RA2194-3	N/A	N/A	2 wire assy with socket connector	\$135	Please call
SMR2235-3	N/A	4E2235-3	N/A	N/A	N/A	N/A	3 wire assy with socket connector	\$136	Please call
SMR2293-1	103764	3E2293-1	6875SW	RA40387	B-40387	N/A	2 wire assy with ring/hook terminals	\$135	Please call
SMR2333-1	N/A	3E2333-1	6957	N/A	N/A	N/A	3 wire assy with socket connector	\$133	Please call
SMR2356-1	N/A	3E2356-1	N/A	N/A	N/A	N/A	wire harness	\$129	Please call
SMR2360-4	3H2360-4	3E2360-4	N/A	N/A	N/A	N/A	2 wire assy with socket connector	\$116	Please call
SMR2369-1	4H2369-1	4E2369-1	6987	RA2469-1	N/A	N/A	3 wire assy with socket connector	\$141	Please call
SMR2369-2	N/A	4E2369-2	6941	RA2469-2	N/A	N/A	3 wire assy with socket connector	\$144	Please call
SMR2369-4	4H2369-4	4E2369-4	N/A	N/A	N/A	N/A	3 wire assy with socket connector	\$141	Please call
SMR2369-5	4H2369-5	4E2369-5	N/A	N/A	N/A	N/A	3 wire assy with socket connector	\$141	Please call
SMR2369-6	N/A	3E2369-6	N/A	N/A	N/A	N/A	wire harness	\$141	Please call
SMR2370-4	3H2370-4	3E2370-4	N/A	N/A	N/A	N/A	2 wire kit with socket connector	\$140	Please call
SMR2475-1	N/A	3E2475-1	N/A	N/A	N/A	N/A	wire harness	\$202	Please call
SMR2475-2	N/A	3E2475-2	N/A	N/A	N/A	N/A	wire harness	\$202	Please call
SMR2526-1	3H2526-1	3E2526-1	N/A	RA2626-1	N/A	N/A	2 wire assy with ring terminals	\$141	Please call
SMR3158-1	3E3158-1	N/A	N/A	N/A	N/A	755-379	wire harness 2 wire pressed	\$982	Please call
SMR40178	N/A	N/A	N/A	N/A	B-40178	N/A	3 wire assy with socket connector	\$118	Please call
SMR40276	103761	N/A	6659SW-1	N/A	B-40276	N/A	2 wire assy with ring terminals	\$134	Please call



SMR40330	103763	N/A	6719SW	RA40330	B-40330	N/A	2 wire assy with ring/hook terminals	\$258	Please call
SMR40377	N/A	N/A	N/A	N/A	B-40377	N/A	2 wire assy with ring terminals	\$233	Please call
SMR40531	103765	N/A	N/A	N/A	B-40531	N/A	2 wire assy with socket connector	\$133	Please call
SMR40585	103766	N/A	N/A	N/A	B-40585	N/A	2 wire assy with socket connector	\$133	Please call
SMR40638	N/A	N/A	N/A	N/A	B-40638	N/A	2 wire assy with socket connector	\$433	Please call
SMR40668	N/A	N/A	N/A	N/A	B-40668	N/A	2 wire assy with socket connector	\$356	Please call
SMR40677	N/A	N/A	N/A	N/A	B-40677	N/A	3 wire assy with socket connector	\$114	Please call
SMR5855-1	N/A	D-5855-1	N/A	N/A	N/A	N/A	3 wire assy with ring terminals	\$155	Please call
SMR697037220	N/A	N/A	N/A	N/A	N/A	N/A	wire harness Q400	\$708	Please call
SMR6976-11	H6976-11	N/A	6976-11	N/A	N/A	N/A	wire harness	\$120	Please call

### HARDWARE

SMR	Goodrich	Parker	Description				List:	Your Cost:
SMR1908-1	4E1908-1	N/A	Brush Block Ass for Piper PA-31, PA-31-300, PA-325, PA-31-350, PA-34-200				\$3,207	Please call
SMR2011-10	3E2011-10	N/A	Repair Module for Modular Assemblies				\$283	Please call
SMR2042-4	3E2042-4	N/A	Modular Brush Block for Pilatus PC 12				\$1,660	Please call
SMR2044-1	3E2044-1	N/A	Modular Brush Block				\$1,629	Please call
SMR2044-4	3E2044-4	N/A	Modular Brush Block for TMB700				\$905	Please call
SMR2320-6	3E2320-6	N/A	Constant Force Brush Block Module				\$450	Please call
SMR2342-4	3E2342-4	N/A	Constant Force Brush Block Module				\$1,109	Please call
SMR2346-3	3E2346-3	N/A	Modular Brush Block Assembly for Beechcraft 1900C and SD3-60				\$1,011	Please call

SMR	Goodrich	Parker	Description				List:	Your Cost:
SMR1H43-15	N/A	1H43-15	Inflation De-Ice Valve for PA-23-260 S/N: 27-7554112 to 27-7554168				\$5,578	Please call
SMR1H43-16	N/A	1H43-16	Inflation De-Ice Valve				\$4,879	Please call
SMR1H44-16	N/A	1H44-16	Deflation De-Ice Valve				\$7,054	Please call
SMR2H30-3	N/A	2H30-3	Pressure Relief Valve for Baron 58P, 58TC				\$3,902	Please call
SMR3D2360-02	3D2360-02	N/A	Pressure Control Valve				\$11,888	Please call
SMR2353-06	3D2353-06	N/A	Ejector Flow Control Valve				\$3,236	Please call

SMR	Goodrich	Parker	Description				List:	Your Cost:
SMR8400-03	3D1472	N/A	STC Timer Upgrade Kit Piper 28V				\$12,943	Please call
SMR8400-06	3D1472	N/A	STC Timer Upgrade Kit Piper PA-31				\$12,943	Please call
SMR8400-17	3D1472	N/A	STC Timer Upgrade Kit Piper PA31P				\$12,943	Please call

### ACCESSORIES

SMR	Goodrich	Safeway	Description				List:	Your Cost:
2MA1414-01	N/A	N/A	De-Icer Installation kit				\$880	Please call
2MA1414-12	N/A	N/A	De-Ice Swabs 10 pack				\$90	Please call
2MA1419-01	N/A	N/A	Wing De-Icer Repair Kit (HAZMAT: contains primer / ground shipping within US only)				\$1,274	Please call
2MA1419-02	N/A	N/A	Wing De-Icer Repair Kit (No Primer)				\$1,145	Please call
2MA1425-02	N/A	N/A	Standard Wing De-Icer Adhesive Kit w/ Tools (HAZMAT: contains adhesive & cement / ground shipping within US only)				\$257	Please call
2MA1778-02	N/A	N/A	PSA Wing De-Icer Installation Kit w/ Tools (HAZMAT: contains primer & cement / ground shipping within US only)				\$227	Please call
4MA1929-1	N/A	N/A	5" x 10" Repair Patch				\$43	Please call
4MA1929-2	N/A	N/A	2.5" x 5" Repair Patch				\$11	Please call
4MA1929-3	N/A	N/A	1.25" x 2.5" Repair Patch				\$6	Please call
SMR-A56B-P	N/A	N/A	½ Pint Conductive Edge Sealer (HAZMAT: ground shipping within US only)				\$78	Please call
SMR-A56B-Q	N/A	N/A	1 qt. Conductive Edge Sealer (HAZMAT: ground shipping within US only)				\$186	Please call
SMR6201	N/A	6201SW	Restrainer Strap ~ 24"				\$46	Please call
SMRPLUS-32	N/A	N/A	Ice Shield Plus 32 oz. Container – Ice Adhesion Reduction System				\$359	Please call
SMRPLUS-22	N/A	N/A	Ice Shield Plus 22 oz. Spray Bottle – Ice Adhesion Reduction System				\$260	Please call